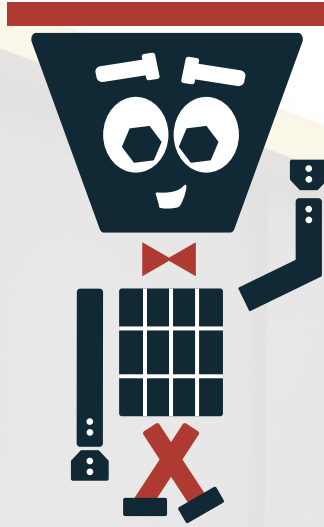


HEAVY DUTY

BIN SLIDE STORAGE SYSTEM



Please watch our
Instructional
Video online
before beginning
your installation



CEILING SAM

STORAGE AND MORE

INSTALLATION INSTRUCTIONS

<https://CeilingSAM.com/installation>

**IMPORTANT: READ THROUGH ENTIRE INSTRUCTIONS
BEFORE BEGINNING ANY INSTALLATION**



MISSING A PART? There is no need to return this unit to the store.
Instead, EMAIL: info@ceilingstorageandmore.com

We appreciate your purchase of the **CeilingSAM 'Bin Slide' Ceiling Storage System**.

CeilingSAM has made every effort to supply a quality product that insures a lifetime of trouble-free service. In the event that you have any problems, and BEFORE RETURNING THE UNIT TO THE SELLER, please email info@ceilingstorageandmore.com

CeilingSAM 'Bin Slide' Ceiling Storage Unit Lifetime Limited Warranty

CeilingSAM warrants this ceiling storage system against defects in the material and workmanship for the life of the product. CeilingSAM agrees to either repair the product or replace it at the sole discretion of CeilingSAM. This warranty does not include the costs associated with the physical installation, removal, or return of the CeilingSAM 'Bin Slide' ceiling storage unit.

This warranty is valid and enforceable provided that the maximum weight supported by the 'Bin Slide' does not exceed 35 lbs per bin, evenly distributed. The customer, dealer, and/or installer releases CeilingSAM of all claims, which includes the CeilingSAM tote ceiling storage unit, the actual storage bin and the structure it is attached to. If the total loaded weight exceeds 35 lbs per bin and/or the load weight isn't evenly distributed or properly supported on the channel rail, this warranty is void. This unit must also be installed according to the manufacturer's instructions (both written and/or by video). At no time should you install more than 6 channels of the "Bin Slide" on any pair of ceiling rafters, truss, or ceiling studs. All hardware and fasteners must be drilled properly into the stud/truss and for safety purposes must be checked at least annually to maintain the safety, efficacy, and proper performance of the 'Bin Slide' ceiling storage system.

Only the original purchaser of this product is extended this warranty. No warranty work will be provided under this warranty without purchaser's original receipt or other proof of the date of the original purchase acceptable to CeilingSAM.

This CeilingSAM limited warranty covers product failure due to defects in materials or workmanship ONLY! It does not cover corrosion, rust or discoloration of its components, or product failure due to misuse, abuse, faulty installation, alteration, lack of reasonable care, or any other failure not related to the defects in materials or workmanship.

There are NO other warranties expressed or implied except those stated herein as required by applicable law.

CEILING SAM SHALL NOT BE LIABLE FOR INCIDENTAL, SPECIAL, OR CONSEQUENTIAL DAMAGES RESULTING FROM THE USE OF THE PRODUCT OR ARISING OUT OF ANY BREACH OF THIS WARRANTY.

ALL IMPLIED WARRANTIES, IF ANY, INCLUDING IMPLIED WARRANTIES OF MERCHANTABILITY AND FITNESS FOR A PARTICULAR PURPOSE, ARE LIMITED TO THE DURATION OF THIS WARRANTY.

Some states do not allow the exclusion or limitation of incidental or consequential damages, or limitation on how long an implied warranty lasts, so the above exclusions or limitation may not apply to you. No other warranty, written or verbal, will be honored for this product. This warranty gives you the specific legal right and you may also have other rights that vary from state to state.

CeilingSAM is not responsible for damages to merchandise in transit. Repaired or replaced products shall be subject to the terms of this warranty, to be inspected by CeilingSAM prior to return shipment. Damages incurred during transit should be reported at once to the carrier and a claim should be filed with them. Thank you again for your purchase of the 'Bin Slide' ceiling storage system.

**CeilingSAM - www.CeilingSAM.com
833-255-1122**

**HANDYMAN OR
CONTRACTOR?**

**BECOME AN
AUTHORIZED DEALER**



**ASK ABOUT OUR
WHOLESALE
PROGRAM 🕶️**



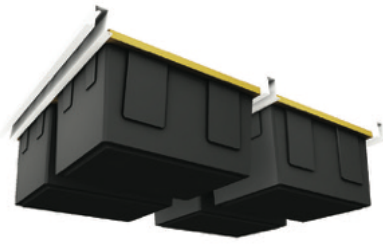
\$50 OFF COUPON

ORDERS OVER \$400

Coupon Code:

REFERRAL50





BIN SLIDE STORAGE SYSTEM

STEP 1: UNBOX YOUR BIN SLIDE UNIT

Your box includes:

- 3 - Channel Rails
- 6 - Lag Screws with Washers



REQUIRED TOOLS:



Drill



Ladder



Stud Finder



Tape Measure



Safety Glasses



Marking Pencil



1/2" Socket



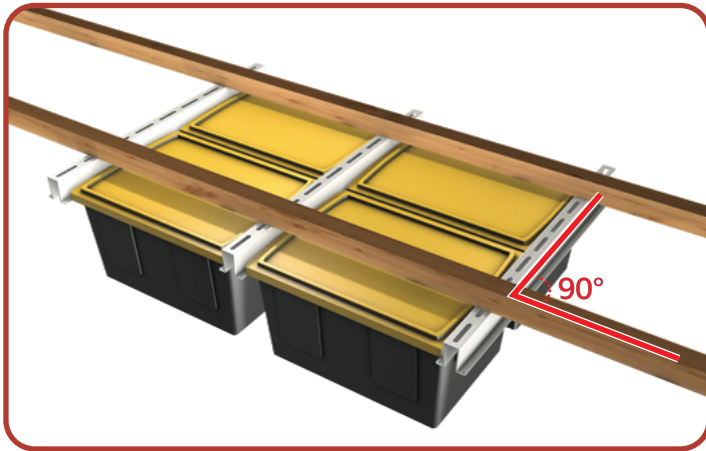
3/16" Drill Bit



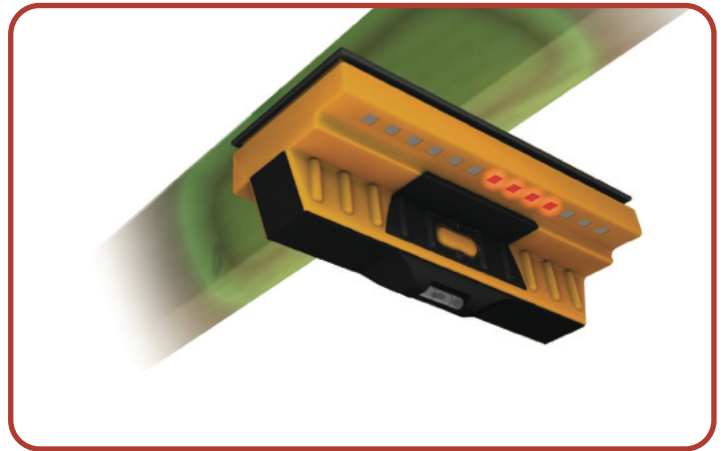
MOUNT THE FIRST RAIL

STEP 2: FIND YOUR CEILING JOISTS

- Mount your system perpendicular to the ceiling joists.



- Use a Stud Finder to locate the Ceiling Joists.

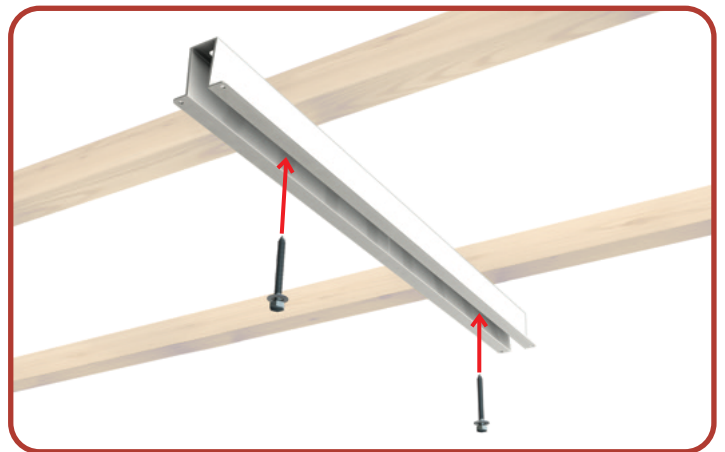


STEP 2B: PRE-DRILL, AND MOUNT THE FIRST RAIL

- Pre-drill into the center of the joist using a 3/16" Drill Bit.



- Mount the first Channel Rail and fasten using 2 Lag Screws and Washers.

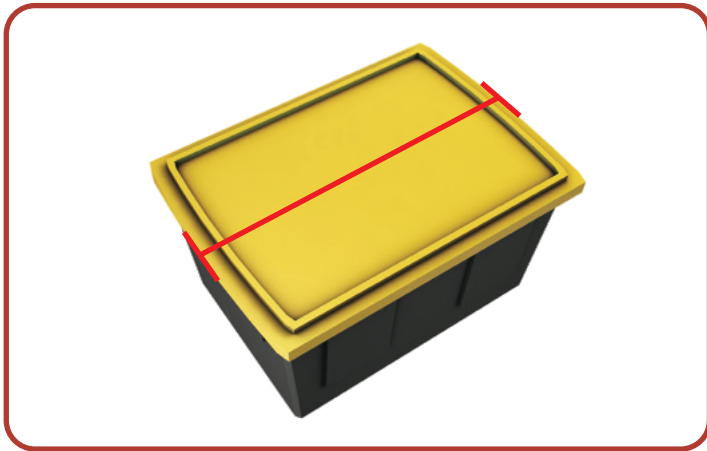




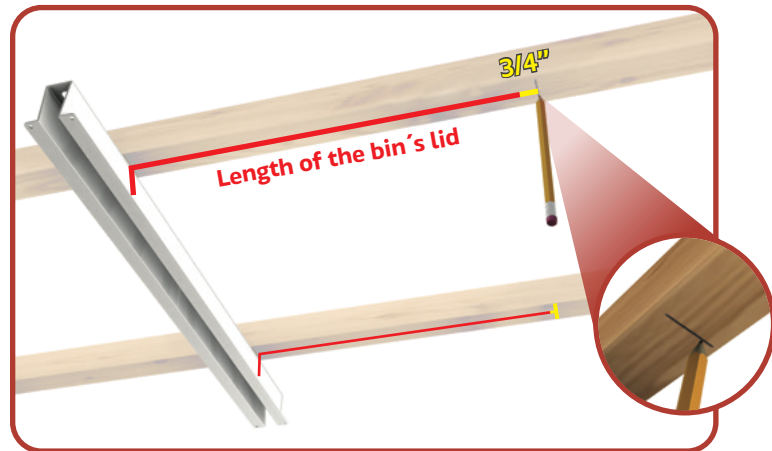
MOUNT THE SECOND RAIL

STEP 3: TAKE MEASUREMENTS FOR THE SECOND RAIL

- Measure the lid of your bin.

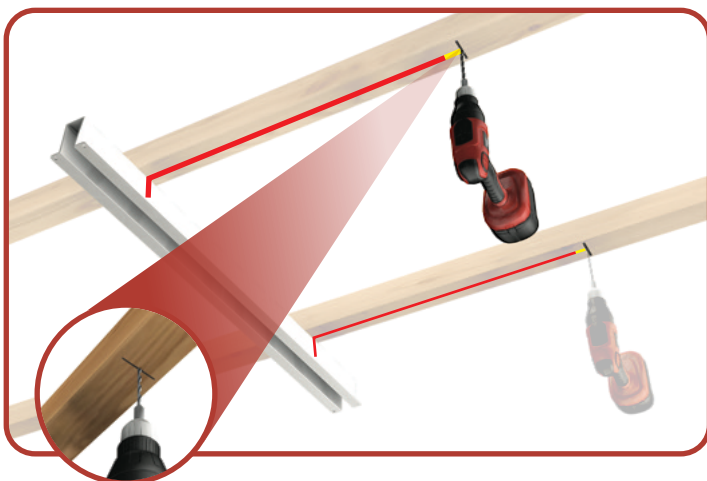


- From the inside edge of your mounted rail, measure the length of the bin's lid and add 3/4". Mark here with your pencil.

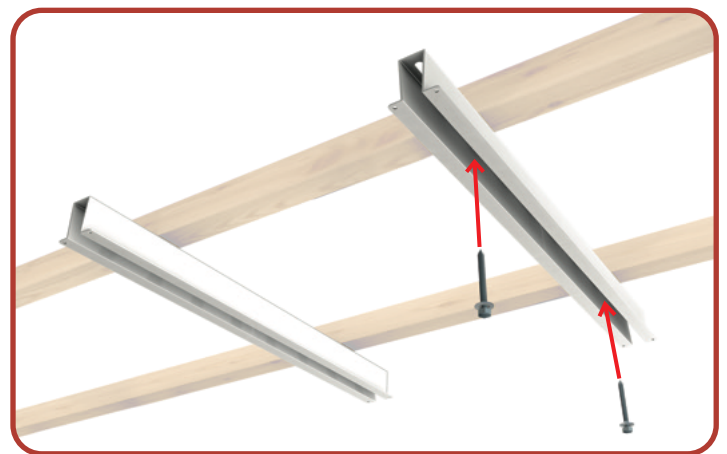


STEP 4: PRE-DRILL AND MOUNT THE SECOND RAIL

- Pre-drill into the center of the joist using a 3/16" Drill Bit.



- Mount your second Channel Rail and fasten using 2 Lag Screws and Washers.

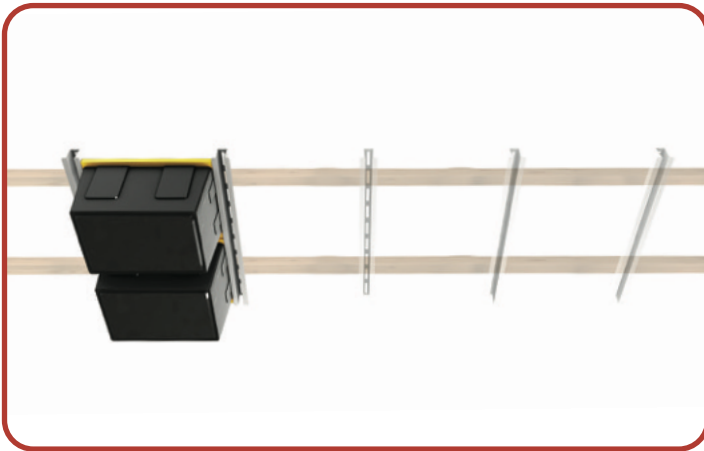




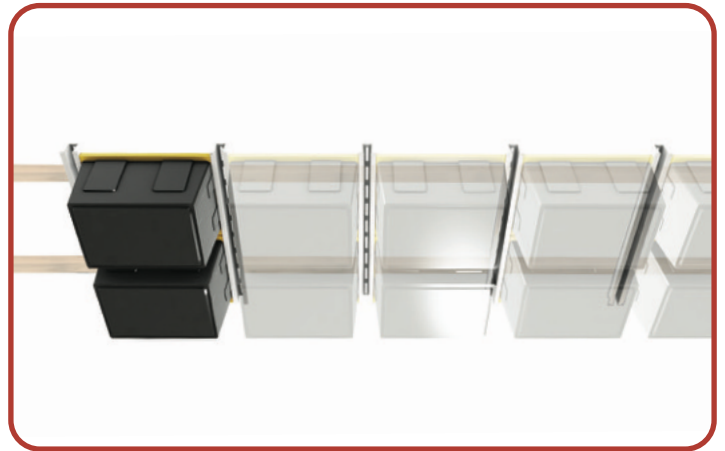
EXTRA SPACE

STEP 5: EXTEND YOUR BIN SLIDE

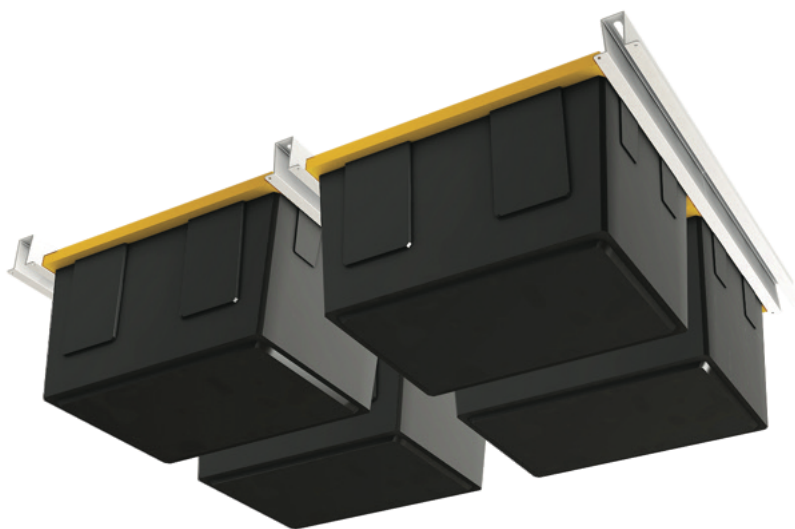
- If you purchased additional Channel Rails you can install them repeating steps 3 and 4.



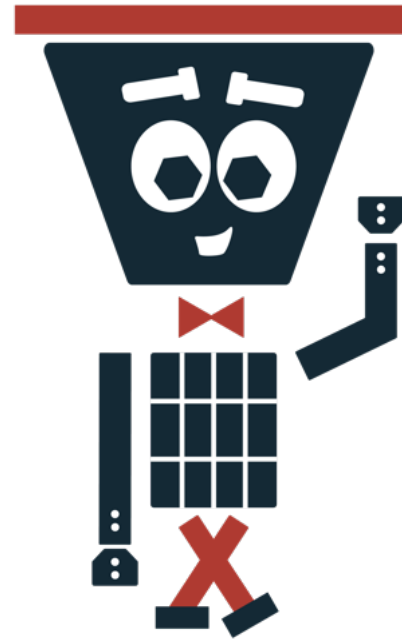
- For each additional Channel Rail, you will get an additional row of 2 bins.



Your Bin Slide Storage System is ready to load up. Enjoy being more organized!



YOUR INSTALLATION IS NOW COMPLETE!
Please visit our website for more information:
www.CeilingSAM.com



\$50 OFF COUPON

ORDERS OVER \$400

Coupon Code:

REFERRAL50



CEILINGSAM.COM

(833) 255-1122

info@ceilingstorageandmore.com