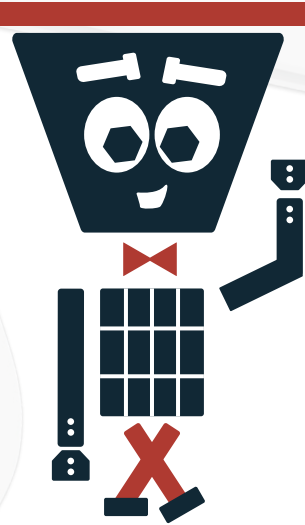


# HEAVY DUTY

## BIKE SLIDE PRO STORAGE SYSTEM



[CeilingSAM.com/installation](https://CeilingSAM.com/installation)



# CEILING SAM

**STORAGE AND MORE**

**INSTALLATION INSTRUCTIONS**

[CeilingSAM.com/installation](https://CeilingSAM.com/installation)

**IMPORTANT: READ THROUGH ENTIRE INSTRUCTIONS  
BEFORE BEGINNING ANY INSTALLATION**



MISSING A PART? There is no need to return this unit to the seller.  
Please email: [info@ceilingstorageandmore.com](mailto:info@ceilingstorageandmore.com)

We appreciate your purchase of the CeilingSAM Bike Slide Pro. CeilingSAM has made every effort to supply a quality product that ensures a lifetime of trouble-free service. In the event that you encounter any urgent problems, please call our toll-free number at 833-255-1122 BEFORE RETURNING THE UNIT TO THE SELLER.

### **CeilingSAM Bike Slide Pro Lifetime Limited Warranty**

CeilingSAM warrants this ceiling storage system against defects in the material and workmanship for the life of the product. CeilingSAM agrees to either repair the product or replace it at the sole discretion of CeilingSAM. This warranty does not include the costs associated with the physical installation, removal, or return of the CeilingSAM Bike Slide Pro.

This warranty is valid and enforceable provided that the maximum weight supported by each Bike Slide Pro does not exceed 300 lbs per row, or 75 lbs per hook, evenly distributed. The customer, dealer, and/or installer releases CeilingSAM of all claims, which includes the CeilingSAM storage unit and the structure it is attached to.

This unit must also be installed according to the manufacturer's instructions (both written and/or by video). At no time should you install more than two Bike Slide Pro Storage Systems on any single ceiling rafter, truss, or stud. All hardware and fasteners must be checked and tightened at least annually.

Only the original purchaser of this product is extended this warranty. No warranty work will be provided under this warranty without the purchaser's original receipt or other proof of the date of the original purchase acceptable to CeilingSAM. There are NO other warranties expressed or implied except those stated herein as required by applicable law.

This CeilingSAM limited warranty covers product failure due to defects in materials or workmanship ONLY! It does not cover corrosion, rust or discoloration of its components, or product failure due to misuse, abuse, faulty installation, alteration, lack of reasonable care, or any other failure not related to the defects in materials or workmanship.

There are NO other warranties expressed or implied except those stated herein as required by applicable law.

CEILING SAM SHALL NOT BE LIABLE FOR INCIDENTAL, SPECIAL, OR CONSEQUENTIAL DAMAGES RESULTING FROM THE USE OF THE PRODUCT OR ARISING OUT OF ANY BREACH OF THIS WARRANTY. ALL IMPLIED WARRANTIES, IF ANY, INCLUDING IMPLIED WARRANTIES OR MERCHANTABILITY AND FITNESS FOR A PARTICULAR PURPOSE, ARE LIMITED TO THE DURATION OF THIS WARRANTY.

Some states do not allow the exclusion or limitation of incidental or consequential damages, or limitation on how long an implied warranty lasts, so the above exclusions or limitation may not apply to you. No other warranty, written or verbal, will be honored for this product. This warranty gives you the specific legal right and you may also have other rights that vary from state to state.

CeilingSAM is not responsible for damages of merchandise in transit. Repaired or replaced products shall be subject to the terms of this warranty, to be inspected by CeilingSAM prior to return shipment. Damages incurred during transit should be reported at once to the carrier and a claim should be filed with them.

**CeilingSAM - [www.CeilingSAM.com](http://www.CeilingSAM.com)  
Phoenix, AZ 85281**

**HANDYMAN OR  
CONTRACTOR?**

**BECOME AN  
AUTHORIZED DEALER**



**ASK ABOUT OUR  
WHOLESALE  
PROGRAM 🕶️**



**\$50 OFF COUPON**

**ORDERS OVER \$400**

Coupon Code:

**REFERRAL50**





# BIKE SLIDE PRO STORAGE SYSTEM

## REQUIRED TOOLS:



18v Cordless Drill



Ladder



Stud Finder



Tape Measure



Safety Glasses



Marking Pencil



1/2" Socket



3/16" Drill Bit



Socket Extender  
(Optional)



11/32" Wrench



9/16" Wrench



Allen Wrench



STEP 1: UNBOX YOUR BIKE SLIDE PRO STORAGE SYSTEM

- Make sure all parts are included



# PARTS INCLUDED: BIKE SLIDE PRO

PARTS INCLUDED IN YOUR BIKE SLIDE PRO STORAGE SYSTEM:



Support Rail (x2)



Hook and Rubber Strip (x4)



Hook Bearings (x4)



Plastic Washer (x4)



Carriage Bolt and Nut (x4)



Long Bolt and Nut (x4)



Lag Screw and Washer (x4)



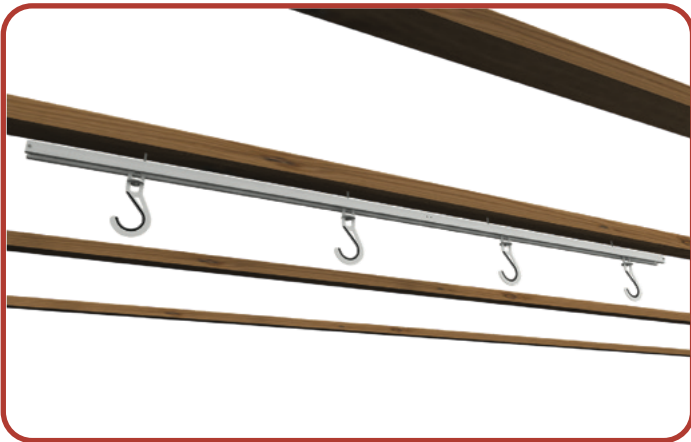


# CONFIGURATION OPTIONS

The Bike Slide Pro can be mounted in two configurations:

## BIKE SLIDE PRO

PARALLEL WITH THE CEILING JOISTS



PERPENDICULAR TO THE CEILING JOISTS

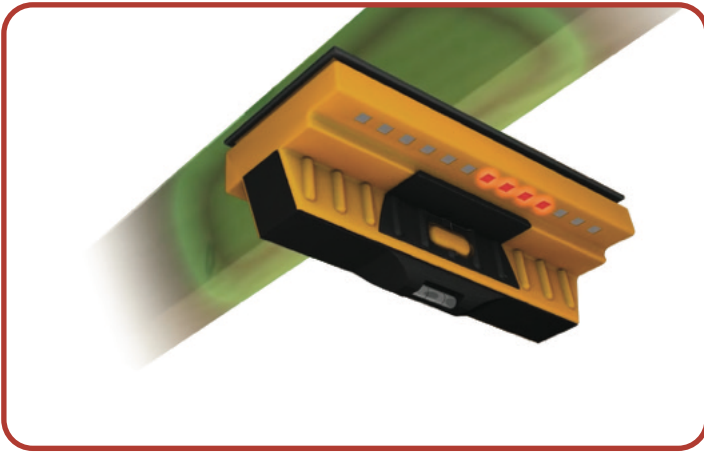




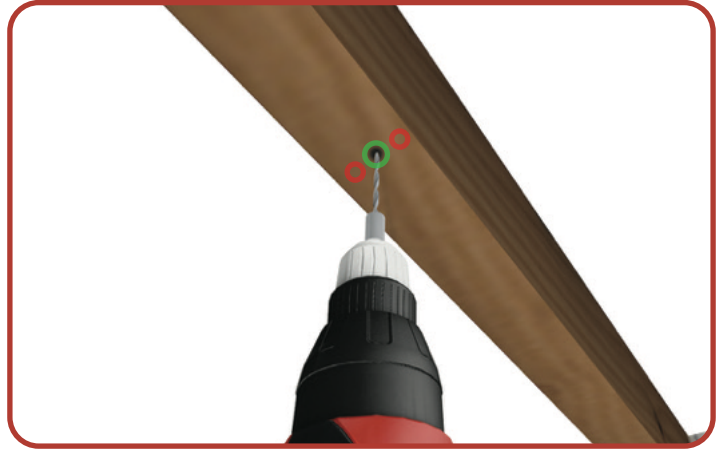
# MOUNT YOUR SUPPORT RAILS

## STEP 2: MOUNT YOUR SUPPORT RAILS

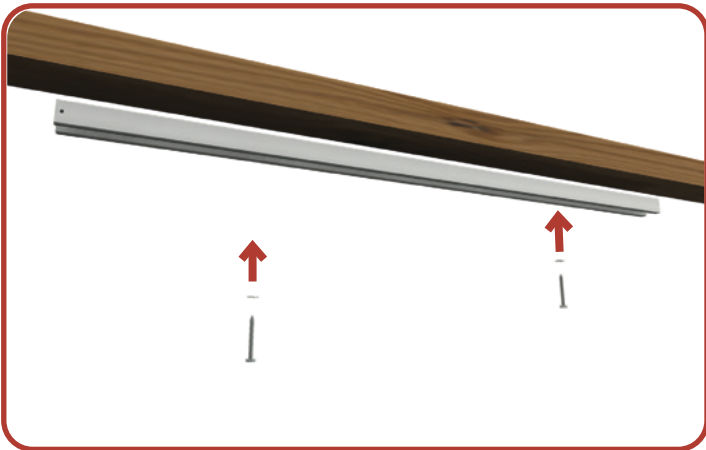
- Use a Stud Finder to locate the Ceiling Joists.



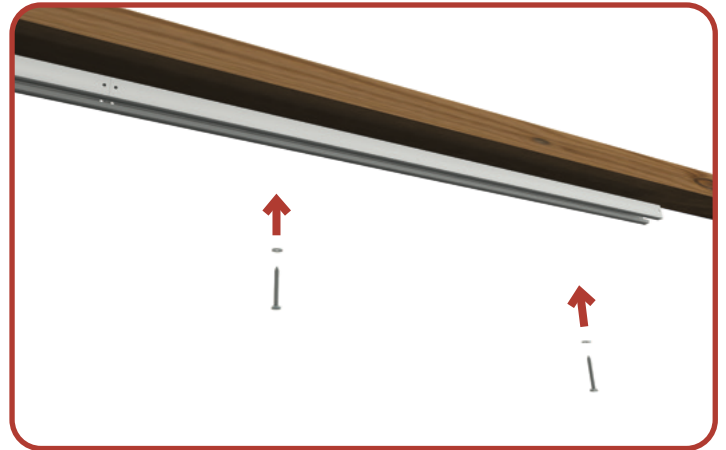
- Pre-drill at the very center of the joists with a 3/16" Drill Bit before inserting the Lag Screws.



- Mount the first Support Rail using 2 Lag Screws and Washers.



- Mount the second Support Rail using 2 Lag Screws and Washers.





# ASSEMBLE THE HOOKS

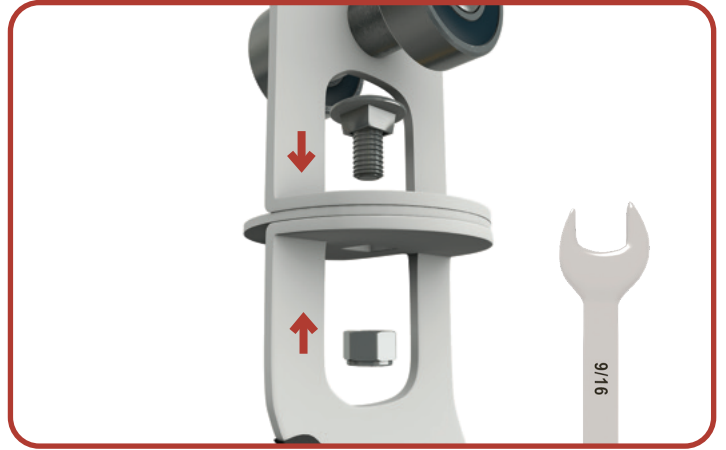
EACH HOOK IS ASSEMBLED USING A PLASTIC WASHER, BEARINGS, A CARRIAGE BOLT AND NUT AND A RUBBER STRIP

## STEP 3: ASSEMBLE THE HOOKS

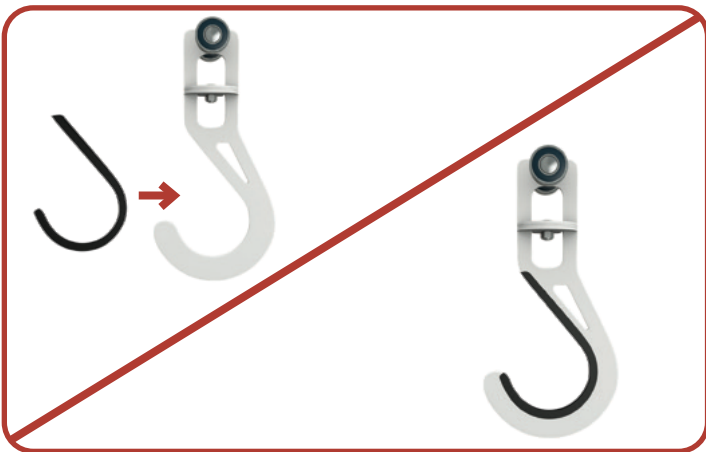
- Insert the Plastic Washer between the Hook and the Bearings.



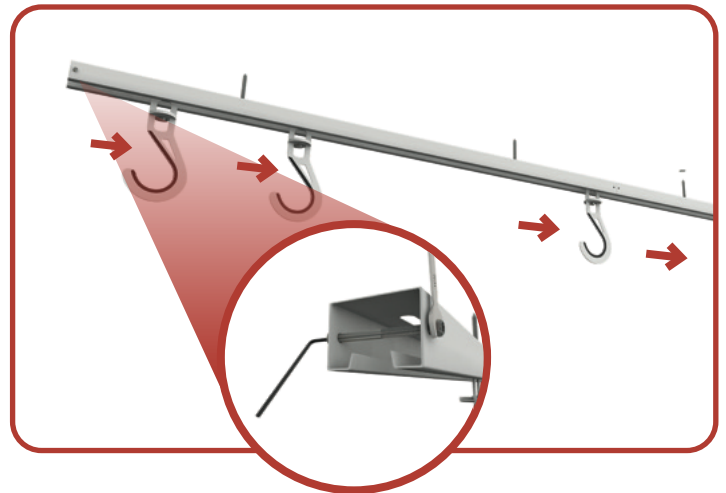
- Fasten the Carriage Bolt and Nut with a 9/16" wrench. Do not over-tighten. You want the Hooks to spin freely.



- Attach the Rubber Strip.



- Slide your Hooks into the Support Rails and fasten the Long Bolts and Nuts using a 3/32" Allen key and a 11/32" wrench.







# ENJOY BEING MORE ORGANIZED!

- Organize bikes, ladders, golf bags and more!



- You can purchase more hooks from our website for additional storage.



**YOUR INSTALLATION IS NOW COMPLETE!**  
Please visit our website for more information:  
[www.CeilingSAM.com](http://www.CeilingSAM.com)

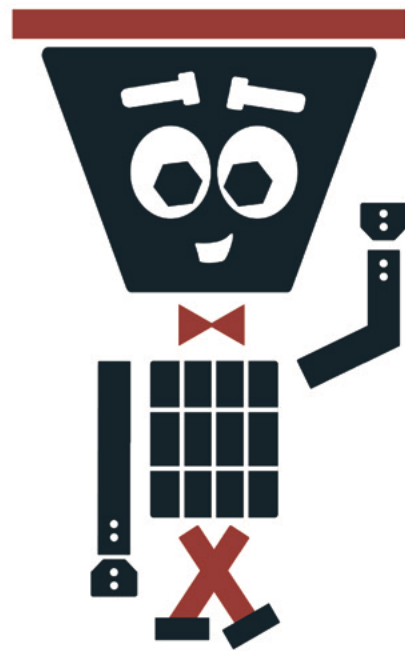
# NEED MORE STORAGE?



# CHECK OUT OUR OTHER PRODUCTS 🤗







**\$50 OFF COUPON**

**ORDERS OVER \$400**

Coupon Code:

**REFERRAL50**



**CEILINGSAM.COM**

**(833) 255-1122**

**info@ceilingstorageandmore.com**