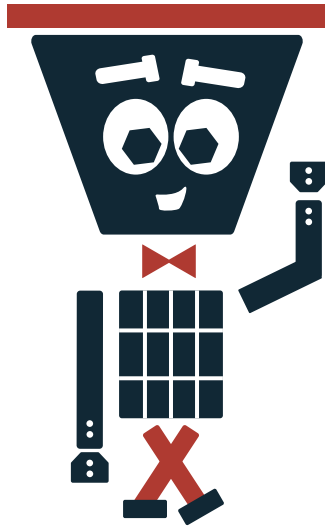


HEAVY DUTY

4'X8' STORAGE SYSTEM



Please watch our
Instructional
Video online
before beginning
your installation



CEILING SAM

STORAGE AND MORE

INSTALLATION INSTRUCTIONS

<https://CeilingSAM.com/installation>

**IMPORTANT: READ THROUGH ENTIRE INSTRUCTIONS
BEFORE BEGINNING ANY INSTALLATION**



MISSING A PART? There is no need to return this unit to the store.
Instead, EMAIL: info@ceilingstorageandmore.com

We appreciate your purchase of the **CeilingSAM 4'x8' Ceiling Storage System**.

CeilingSAM has made every effort to supply a quality product that insures a lifetime of trouble-free service. In the event that you have any problems, and BEFORE RETURNING THE UNIT TO THE SELLER, please email info@ceilingstorageandmore.com

CeilingSAM Heavy Duty 4' x 8' Ceiling Storage Unit Lifetime Limited Warranty

CeilingSAM warrants this ceiling storage system against defects in the material and workmanship for the life of the product. CeilingSAM agrees to either repair the product or replace it at the sole discretion of CeilingSAM. This warranty does not include the costs associated with the physical installation, removal, or return of the CeilingSAM Heavy Duty 4' x 8' Ceiling Storage Unit.

This warranty is valid and enforceable provided that the maximum weight supported by each Heavy Duty 4' x 8' Ceiling Storage Unit does not exceed 1000 lbs per unit, evenly distributed. The customer, dealer, and/or installer releases CeilingSAM of all claims, which includes the CeilingSAM ceiling unit and the structure it is attached to. If the loaded weight exceeds 1000 lbs or is unevenly distributed. This unit must also be installed according to the manufacturer's instructions (both written and/or by video). At no time should you install more than three (2) Heavy Duty Ceiling Storage units on any two ceiling rafters, truss, or ceiling studs. All hardware and fasteners must be checked and tightened at least annually.

Only the original purchaser of this product is extended this warranty. No warranty work will be provided under this warranty without purchaser's original receipt or other proof of the date of the original purchase acceptable to CeilingSAM.

This CeilingSAM limited warranty covers product failure due to defects in materials or workmanship ONLY! It does not cover corrosion, rust or discoloration of its components, or product failure due to misuse, abuse, faulty installation, alteration, lack of reasonable care, or any other failure not related to the defects in materials or workmanship.

There are NO other warranties expressed or implied except those stated herein as required by applicable law.

CEILING SAM SHALL NOT BE LIABLE FOR INCIDENTAL, SPECIAL, OR CONSEQUENTIAL DAMAGES RESULTING FROM THE USE OF THE PRODUCT OR ARISING OUT OF ANY BREACH OF THIS WARRANTY.

ALL IMPLIED WARRANTIES, IF ANY, INCLUDING IMPLIED WARRANTIES OF MERCHANTABILITY AND FITNESS FOR A PARTICULAR PURPOSE, ARE LIMITED TO THE DURATION OF THIS WARRANTY.

Some states do not allow the exclusion or limitation of incidental or consequential damages, or limitation on how long an implied warranty lasts, so the above exclusions or limitation may not apply to you. No other warranty, written or verbal, will be honored for this product. This warranty gives you the specific legal right and you may also have other rights that vary from state to state.

CeilingSAM is not responsible for damages of merchandise in transit. Repaired or replaced products shall be subject to the terms of this warranty, to be inspected by CeilingSAM prior to return shipment. Damages incurred during transit should be reported at once to the carrier and a claim should be filed with them.

**CeilingSAM - www.CeilingSAM.com
833-255-1122**

**HANDYMAN OR
CONTRACTOR?**

**BECOME AN
AUTHORIZED DEALER**



**ASK ABOUT OUR
WHOLESALE
PROGRAM 🕶️**



\$50 OFF COUPON

ORDERS OVER \$400

Coupon Code:

REFERRAL50





4'X8' STORAGE SYSTEM

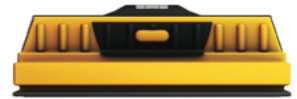
REQUIRED TOOLS:



Drill



Ladder



Stud Finder



Tape Measure



Safety Glasses



Marking Pencil



1/2" Socket



3/16" Drill Bit



Level



STEP 1: UNBOX YOUR 4'X8' UNIT

- Make sure all parts are included



PARTS INCLUDED:



Ceiling Brackets (x4)



Down-Rods (x4)



Frame Sides (x4)



Frame Ends (x2)



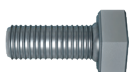
Frame Connectors (x2)



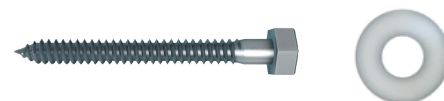
Support Bars (x12)



Long Bolts (x20)



Short Bolts (x24)



Lag Screws and Washers (x8)



Nuts (x44)



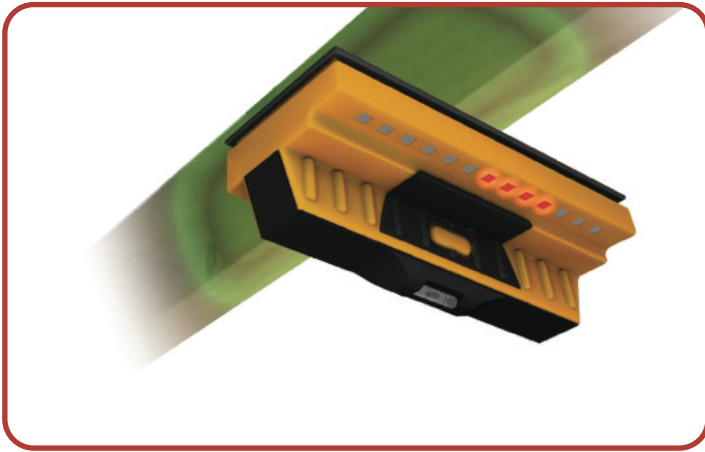
Plugs (x24)



INITIAL SETUP

STEP 1: FIND YOUR CEILING JOISTS, PRE-DRILL AND ASSEMBLE YOUR DOWN-RODS

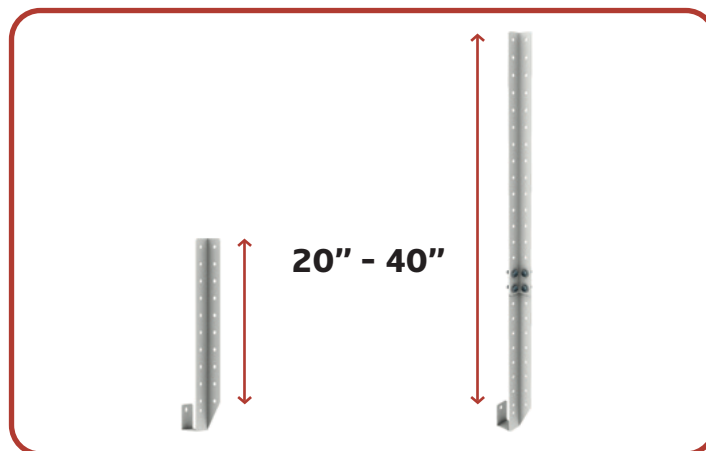
- Use a Stud Finder to locate the Ceiling Joists.



- Pre-drill with a 3/16" Drill Bit before inserting the Lag Screws.



- Adjust the Down-Rods to your desired height from 20" to 40".



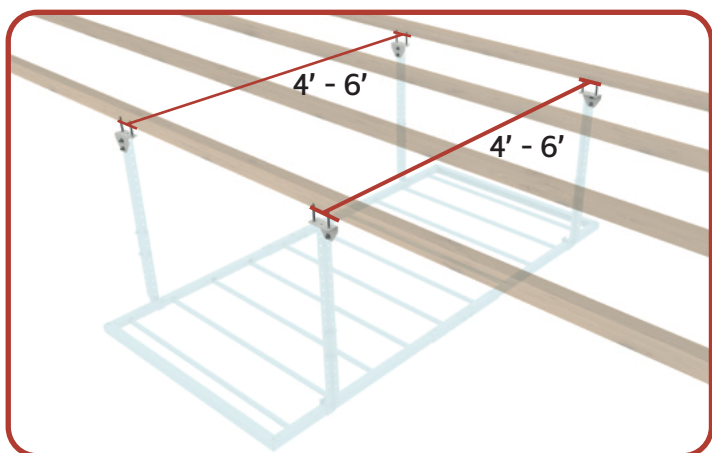


BRACKET CONFIGURATION A: PERPENDICULAR TO THE CEILING JOISTS

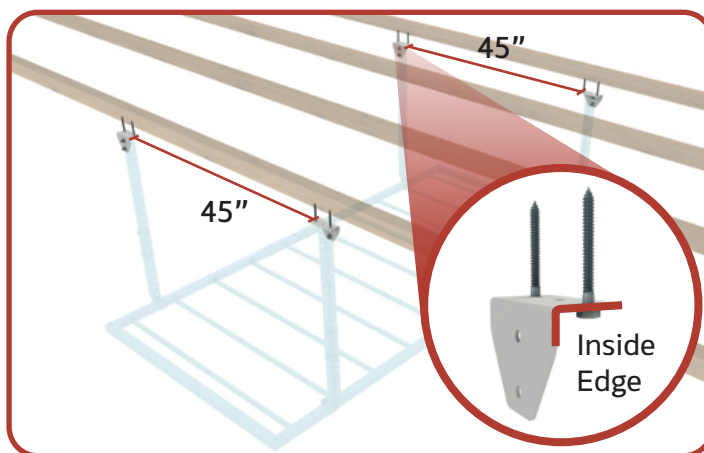


STEP 2-A: MEASURE AND MOUNT YOUR CEILING BRACKETS AND DOWN-RODS

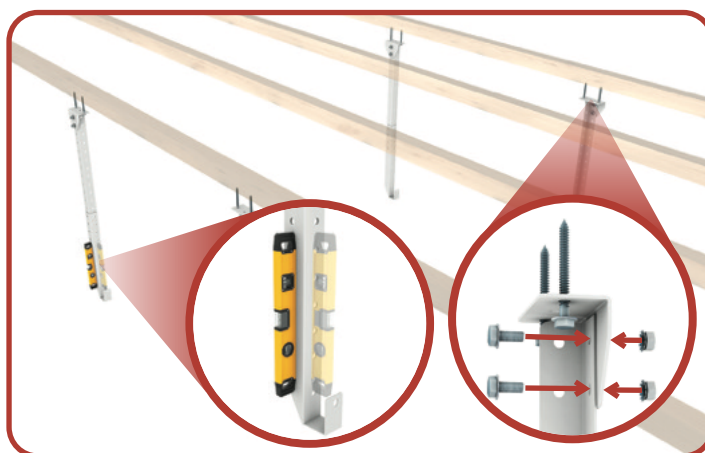
- Mount your Ceiling Brackets 4' to 6' apart.



- 45" from inside edge to inside edge.



- Fasten the Down-Rods to your Ceiling Brackets and ensure they are level.



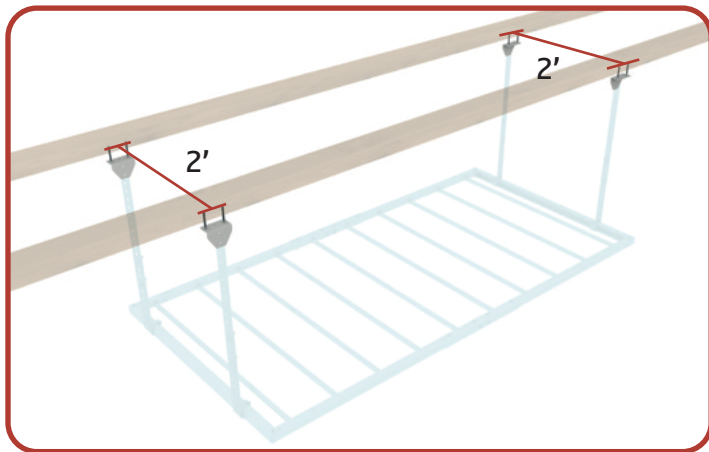


BRACKET CONFIGURATION B: PARALLEL TO THE CEILING JOISTS

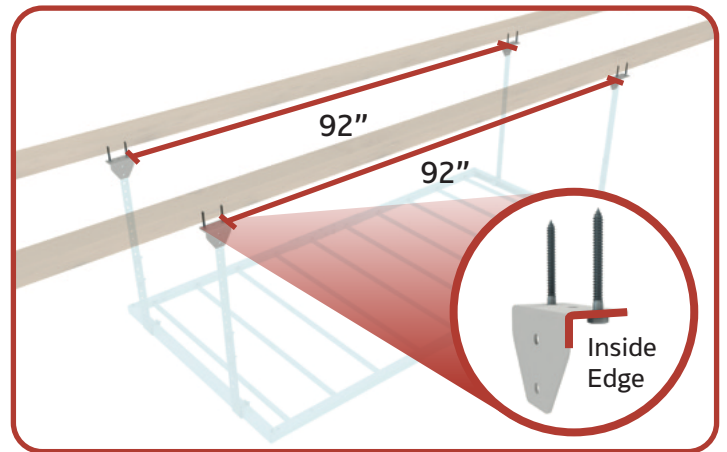


STEP 2 - B: MEASURE AND MOUNT YOUR CEILING BRACKETS AND DOWN-RODS

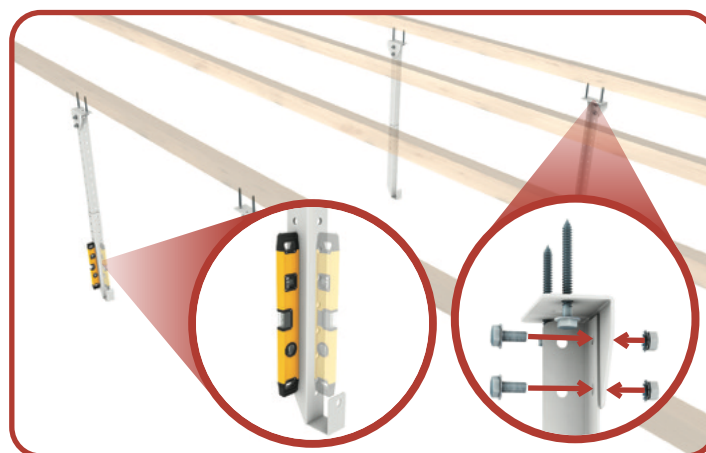
- Mount 2' apart.



- 92" from inside edge to inside edge.



- Fasten the Down-Rods to your Ceiling Brackets and ensure they are level.

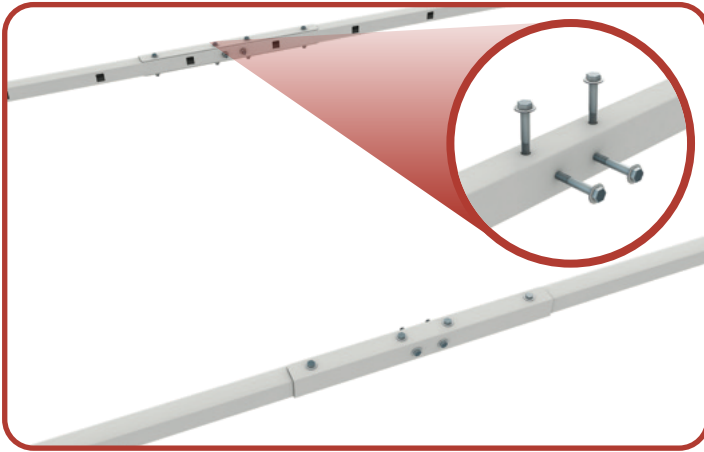




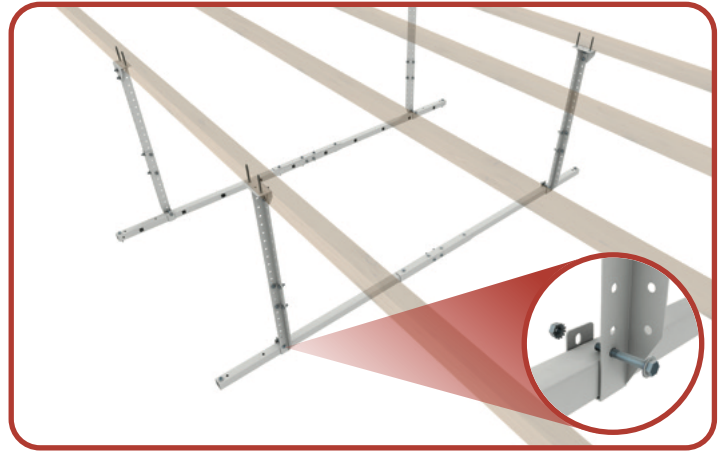
FRAME CONFIGURATION A

STEP 3 - A: ASSEMBLE THE FRAME

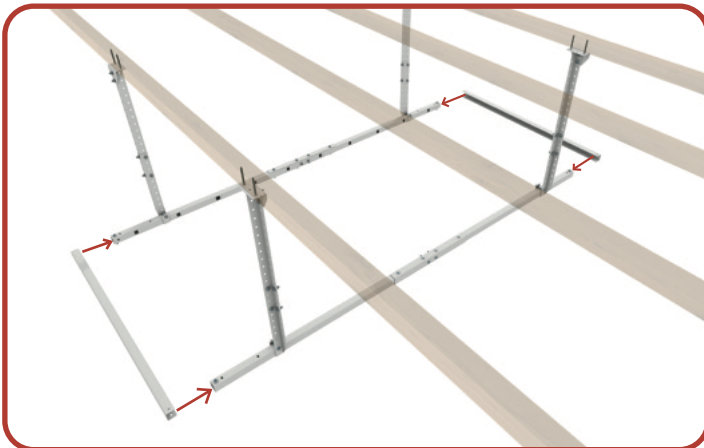
- Assemble the Sides of the Frame using the Long Bolts.



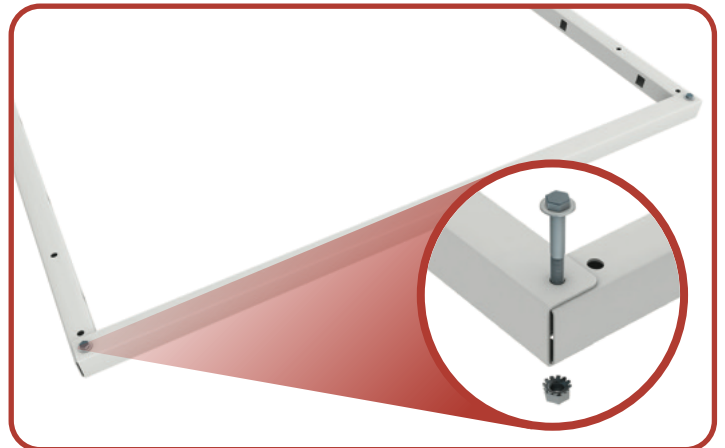
- Connect the Down-Rods to the sides of the Frame using Long Bolts.



- Connect the Ends of the Frame to the Sides.



- Fasten using Long Bolts.

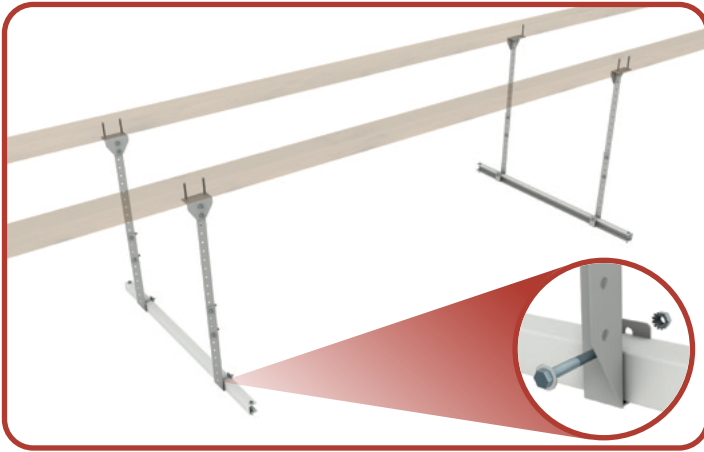




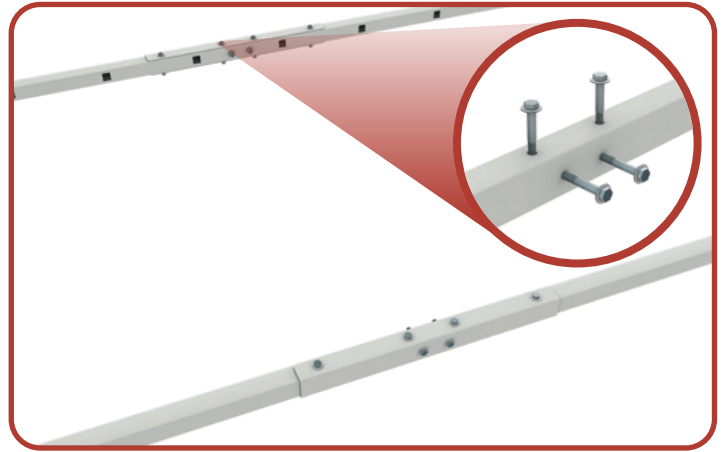
FRAME CONFIGURATION B

STEP 3 - B: ASSEMBLE THE FRAME

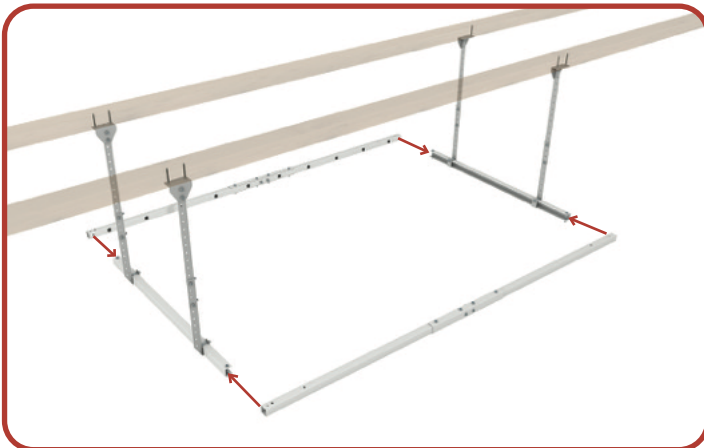
- Connect the Down-Rods to the Frame Ends using Long Bolts.



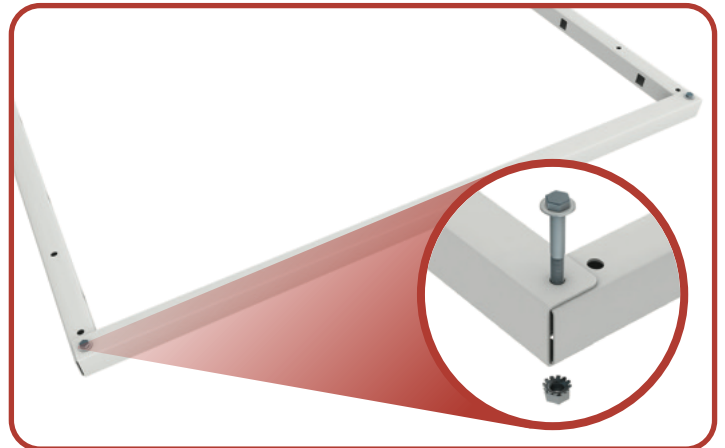
- Assemble the Sides of the Frame.



- Connect the Sides of the Frame to the Ends of the Frame.



- Fasten using Long Bolts.

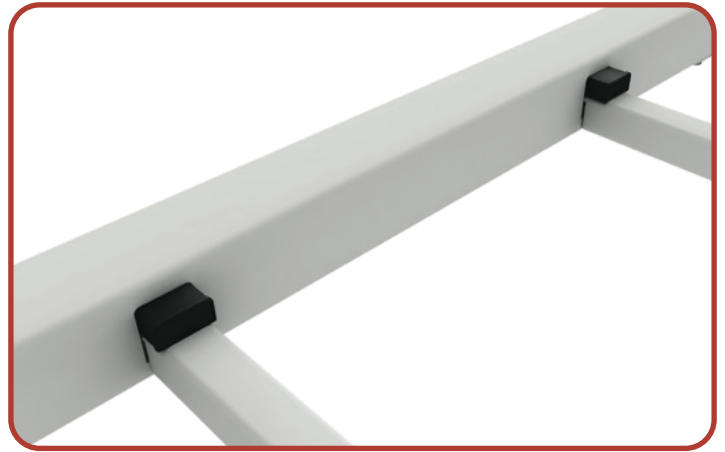
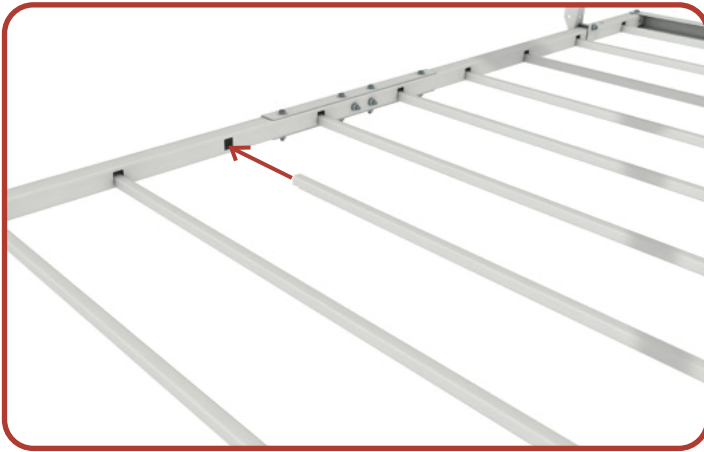




INSERT THE SUPPORT BARS

STEP 4: INSERT THE SUPPORT BARS

- Ensure that they are resting properly in the grooves.
- Fasten using the plastic Plugs.



Your 4'x8' Storage System is ready to load up.



YOUR INSTALLATION IS NOW COMPLETE!

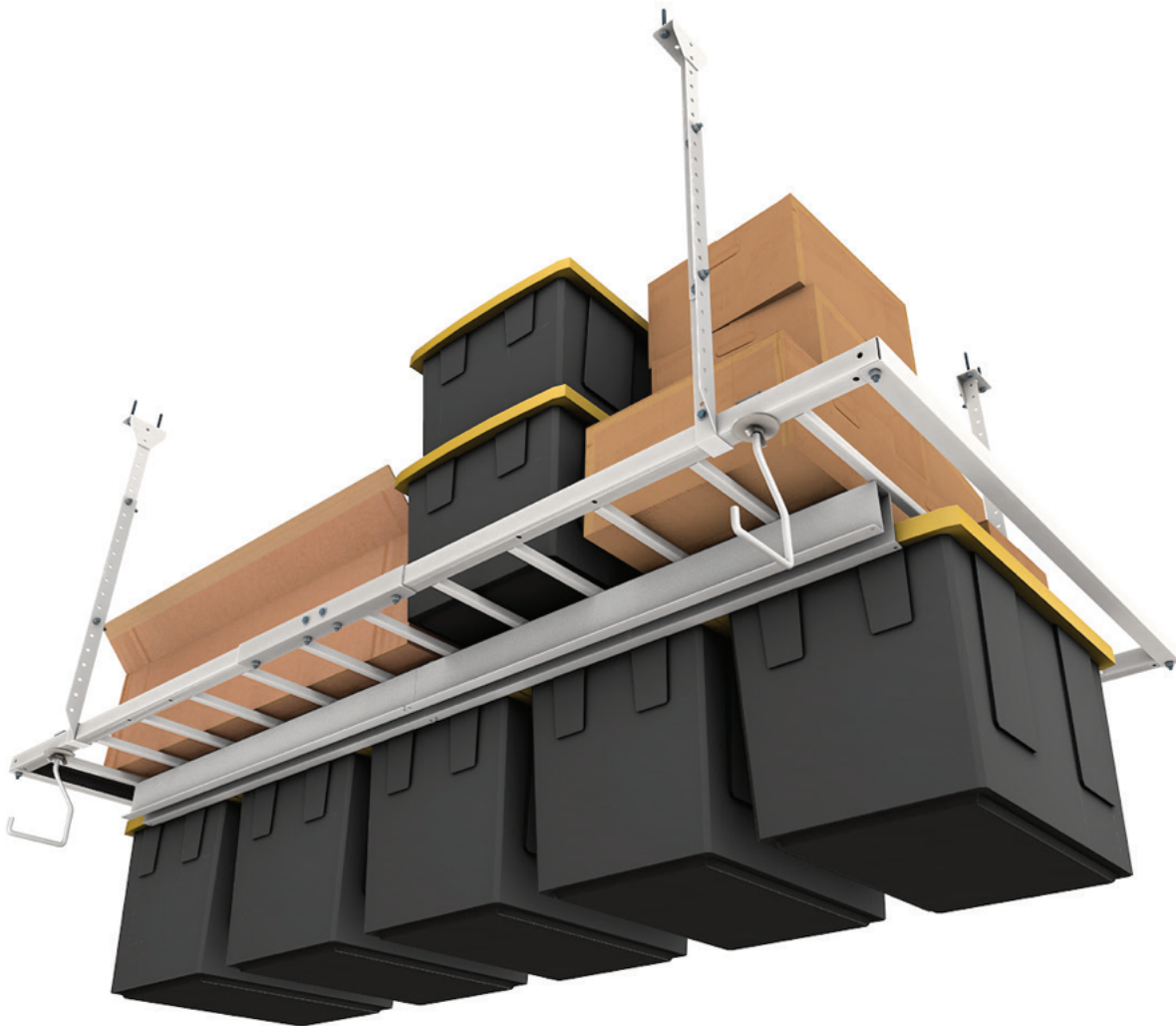
Please visit our website for more information:

www.CeilingSAM.com



3-IN-1

VISIT OUR WEBSITE TO UPGRADE YOUR PLATFORM
TO A 3-IN-1 STORAGE SYSTEM



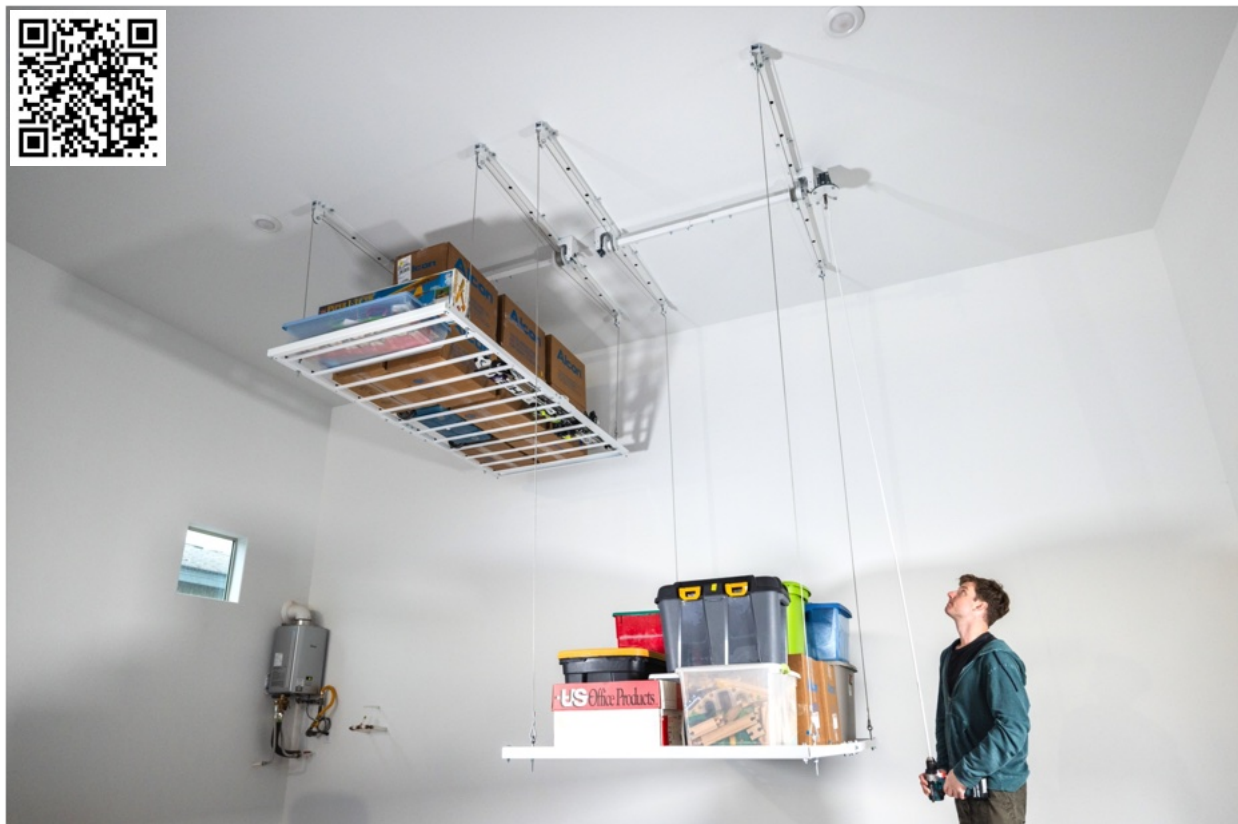
NEED MORE STORAGE?

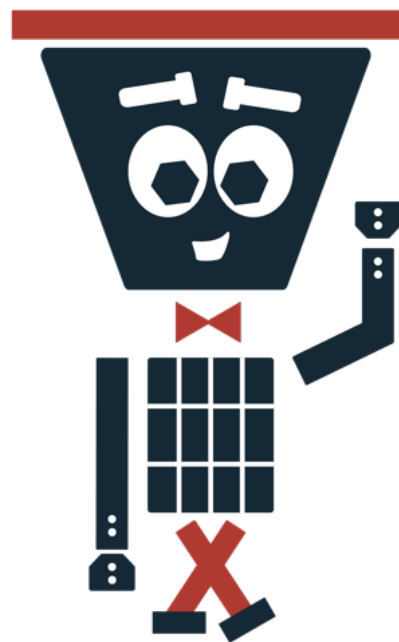


CHECK OUT OUR OTHER PRODUCTS 😁



MANUFACTURED 100% IN THE U.S.A.





\$50 OFF COUPON

ORDERS OVER \$400

Coupon Code:

REFERRAL50



CEILINGSAM.COM

(833) 255-1122

info@ceilingstorageandmore.com