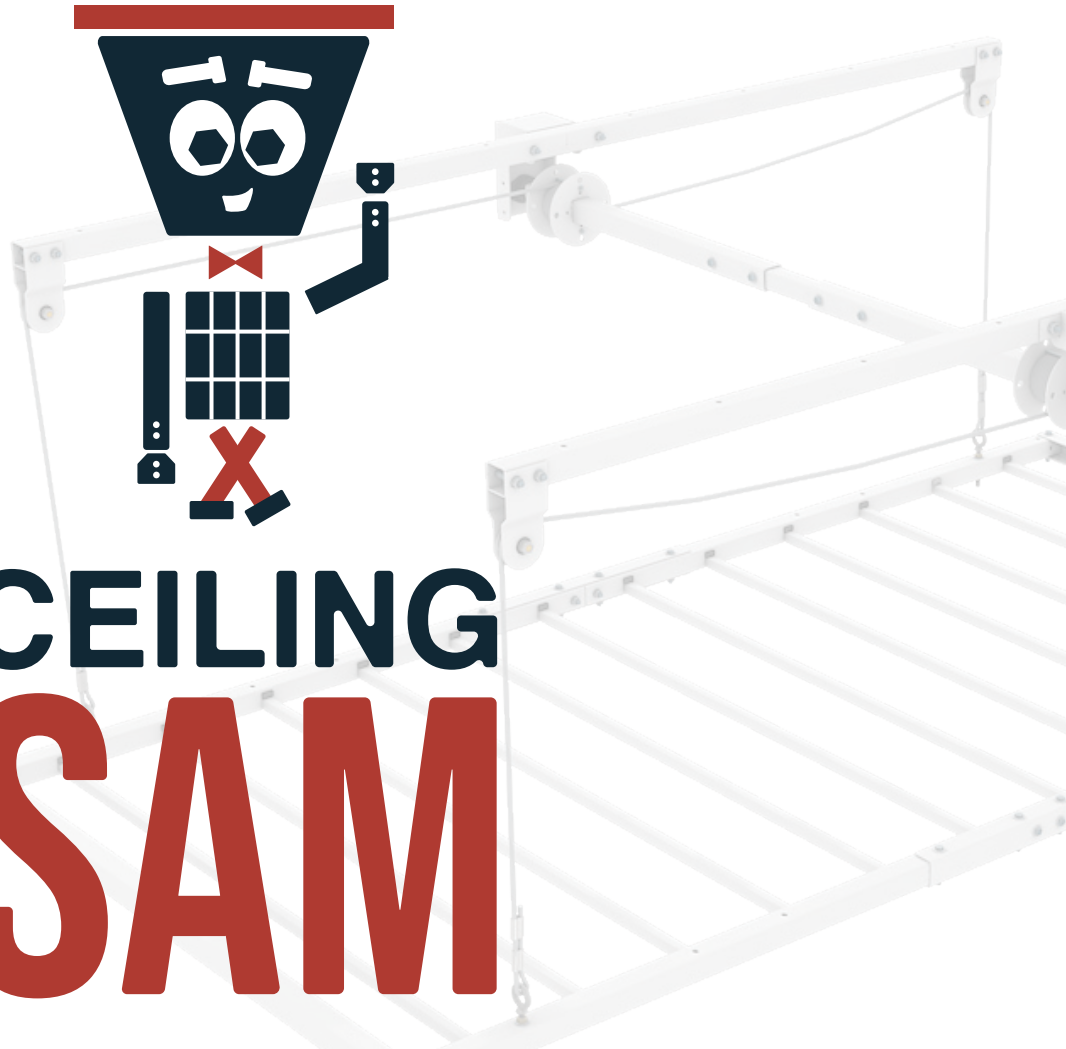


HEAVY DUTY

RETRACTABLE 4'X8' STORAGE SYSTEM



CeilingSAM.com/installation



CEILING SAM

STORAGE AND MORE

INSTALLATION INSTRUCTIONS

CeilingSAM.com/installation

**IMPORTANT: READ THROUGH ENTIRE INSTRUCTIONS
BEFORE BEGINNING ANY INSTALLATION**



MISSING A PART? There is no need to return this unit to the seller.
Please email: info@ceilingstorageandmore.com

CeilingSAM Retractable 4'x8' Ceiling Storage System

We appreciate your purchase of the CeilingSAM Retractable 4'x8' Ceiling Storage System. CeilingSAM has made every effort to supply a quality product that ensures a lifetime of trouble-free service. In the event that you encounter any urgent problems, please call our toll-free number at 833-255-1122 BEFORE RETURNING THE UNIT TO THE SELLER.

CeilingSAM Retractable 4' x 8' Ceiling Storage Unit Limited Lifetime Warranty

CeilingSAM warrants this ceiling storage system against defects in material and workmanship for the life of the product. CeilingSAM agrees to either repair the product or replace it at the sole discretion of CeilingSAM. This warranty does not cover the costs associated with the physical installation, removal, or return of the CeilingSAM Retractable 4' x 8' Ceiling Storage Unit.

This warranty is valid and enforceable provided that the maximum weight supported by each Retractable 4' x 8' Ceiling Storage Unit does not exceed 700 lbs per unit, evenly distributed. The customer, dealer, and/or installer releases CeilingSAM from all claims, including those related to the CeilingSAM ceiling unit and the structure to which it is attached.

This unit must be installed according to the manufacturer's instructions (both written and video). At no time should you install the Retractable 4'x8' storage system parallel to the ceiling joists, or along only 2 ceiling trusses. All hardware and fasteners must be checked and tightened at least annually.

Only the original purchaser of this product is eligible for this warranty. No warranty work will be provided under this warranty without the purchaser's original receipt or other proof of the date of the original purchase, acceptable to CeilingSAM.

This CeilingSAM limited warranty covers product failure due to defects in materials or workmanship ONLY. It does not cover corrosion, rust, or discoloration of its components, or product failure due to misuse, abuse, faulty installation, alteration, lack of reasonable care, or any other failure not related to defects in materials or workmanship.

There are NO other warranties expressed or implied except those stated herein as required by applicable law.

CEILING SAM SHALL NOT BE LIABLE FOR INCIDENTAL, SPECIAL, OR CONSEQUENTIAL DAMAGES RESULTING FROM THE USE OF THE PRODUCT OR ARISING OUT OF ANY BREACH OF THIS WARRANTY.

ALL IMPLIED WARRANTIES, IF ANY, INCLUDING IMPLIED WARRANTIES OF MERCHANTABILITY AND FITNESS FOR A PARTICULAR PURPOSE, ARE LIMITED TO THE DURATION OF THIS WARRANTY.

Some states do not allow the exclusion or limitation of incidental or consequential damages, or limitations on how long an implied warranty lasts, so the above exclusions or limitations may not apply to you. No other warranty, written or verbal, will be honored for this product. This warranty gives you specific legal rights, and you may also have other rights that vary from state to state.

CeilingSAM is not responsible for damages to merchandise in transit. Repaired or replaced products shall be subject to the terms of this warranty and inspected by CeilingSAM prior to return shipment. Damages incurred during transit should be reported at once to the carrier, and a claim should be filed with them.

**CeilingSAM - www.CeilingSAM.com
Phoenix, AZ 85281**

**HANDYMAN OR
CONTRACTOR?**

**BECOME AN
AUTHORIZED DEALER**



**ASK ABOUT OUR
WHOLESALE
PROGRAM 🕶️**



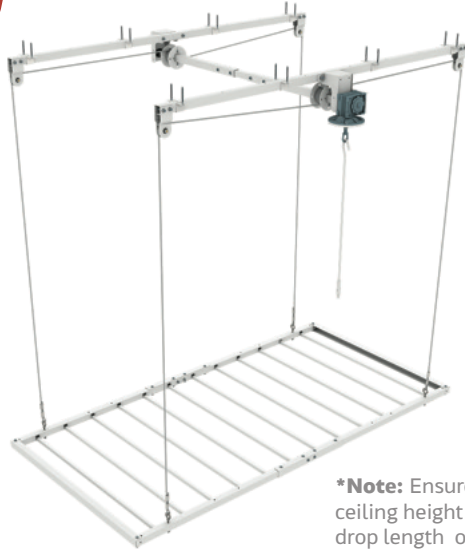
\$50 OFF COUPON

ORDERS OVER \$400

Coupon Code:

REFERRAL50





RETRACTABLE 4'X8' STORAGE SYSTEM

***Note:** Ensure that your ceiling height is taller than the drop length of the system

REQUIRED TOOLS:



Corded Drill or
18v Cordless Drill
(1/2" chuck)



Ladder



Stud Finder



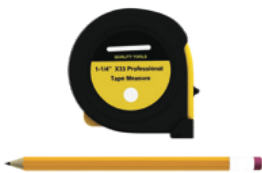
3/16" Drill Bit



1/2" Wrench
(x2)



7/16", 1/2" & 9/16"
Sockets



Tape Measure &
Marking Pencil



Safety Glasses



Level



UNBOX YOUR RETRACTABLE 4'X8' UNIT

- Make sure all parts are included



PARTS INCLUDED:



Ceiling Brackets (x4)



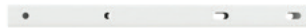
Ceiling Bracket Connectors (x2)



U Clamps (x8)



Halves of Axle Rod (x2)



Axle Rod Connector



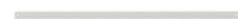
Sides of Frame (x4)



Side Frame Connectors (x2)



Frame Support Bars (x12)



Ends of Frame (x2)



Spools with Cables (x2)



Gearbox & Gold Bolt



Axle Mount (x2)



Platform Bar Plugs (x24)



Long Bolts and Nuts (x27)



Lag Screws and Washers (x12)



Axle Rod Cylinder



Gearbox Connecting Bolts and Nuts (x2)

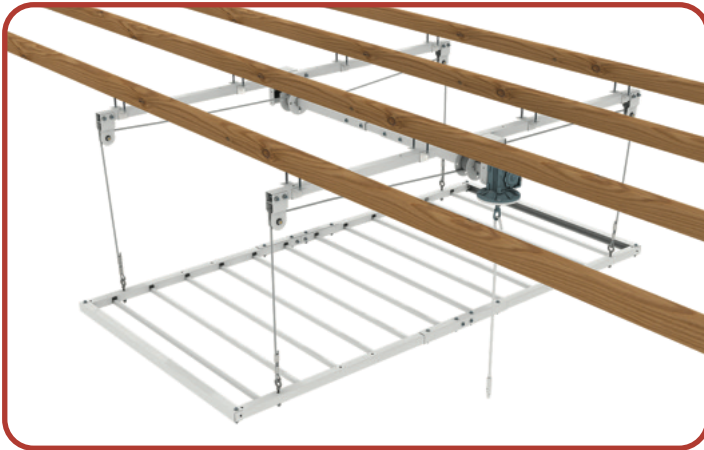


Drill Rod

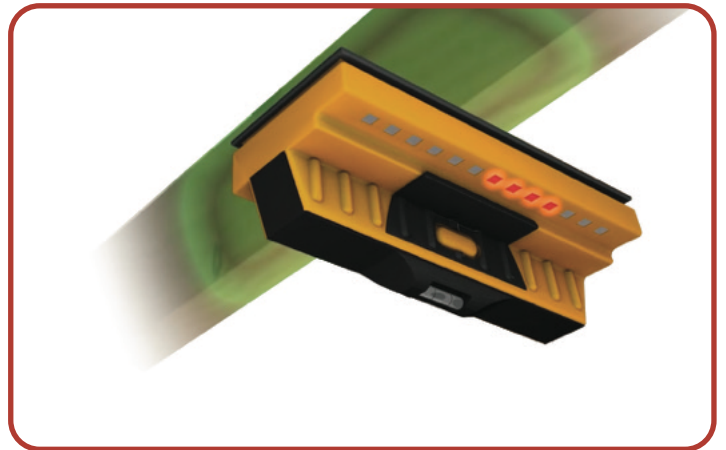


MOUNT THE CEILING BRACKETS

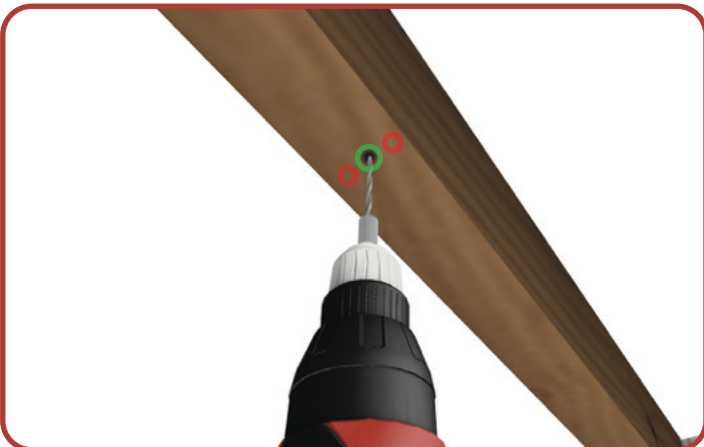
- The system should be installed perpendicular to the Ceiling Joists.



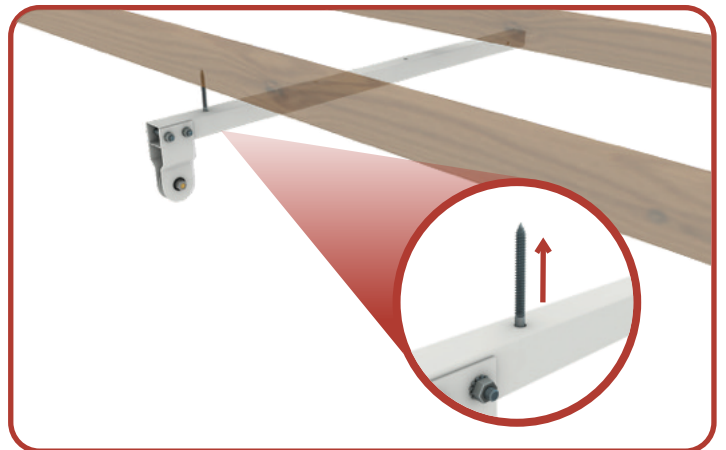
- Use a Stud Finder to locate the ceiling joists.



- Pre-drill at the very center of the joists with a 3/16" Drill Bit before inserting the Lag Screws.



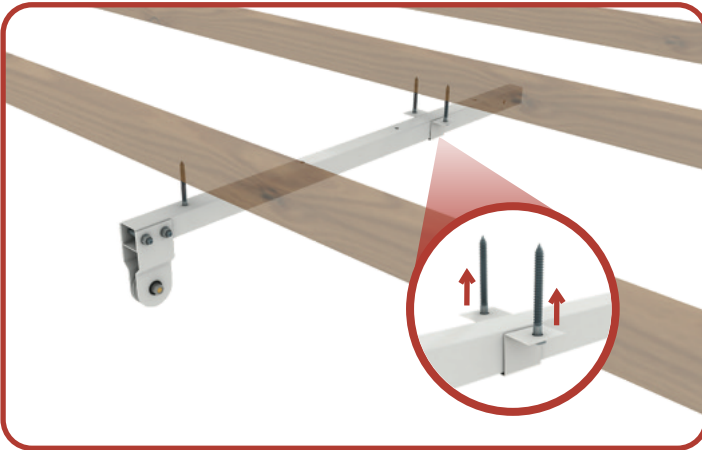
- Mount the first half of the Ceiling Bracket using one Lag Screw.



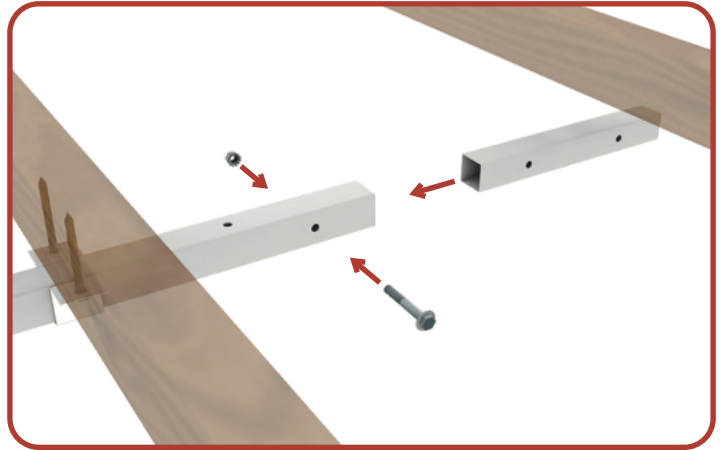


MOUNT THE CEILING BRACKETS

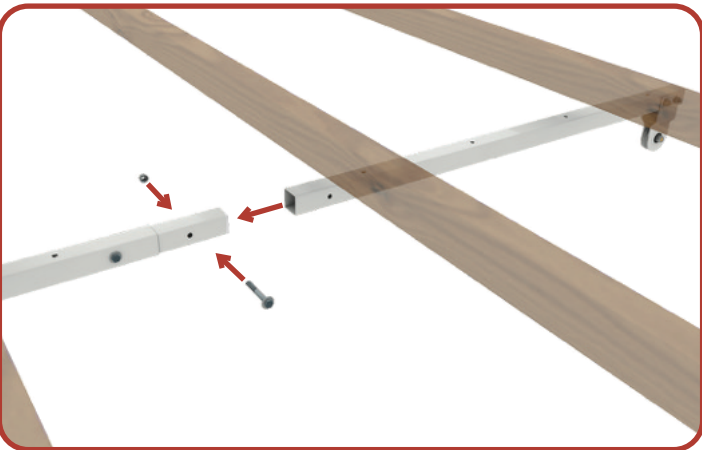
- Use a U-Clamp and 2 Lag Screws with Washers to secure the bracket to the next ceiling joists.



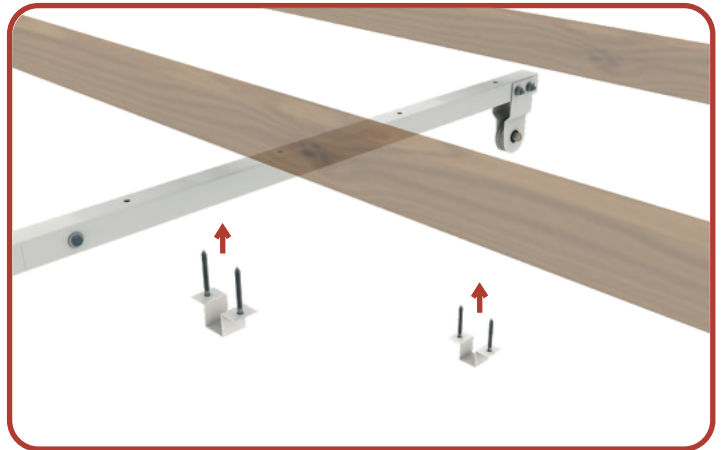
- Insert the Ceiling Bracket Connector and fasten with a Long Bolt and Nut. Hand tighten them for now.



- Attach the second half of the Ceiling Bracket and fasten with a Long Bolt and Nut. Hand tighten for now.



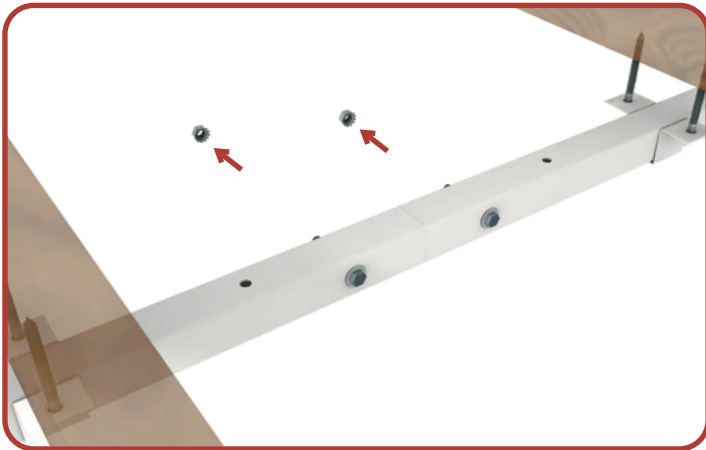
- Mount the second half of the Ceiling Bracket using U-Clamps and Lag Screws with Washers.





MOUNT THE CEILING BRACKETS AND AXLE MOUNTS

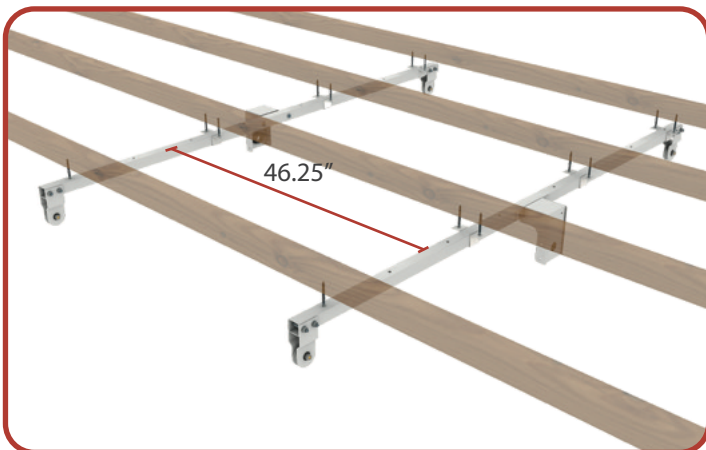
- Remove the Nuts.



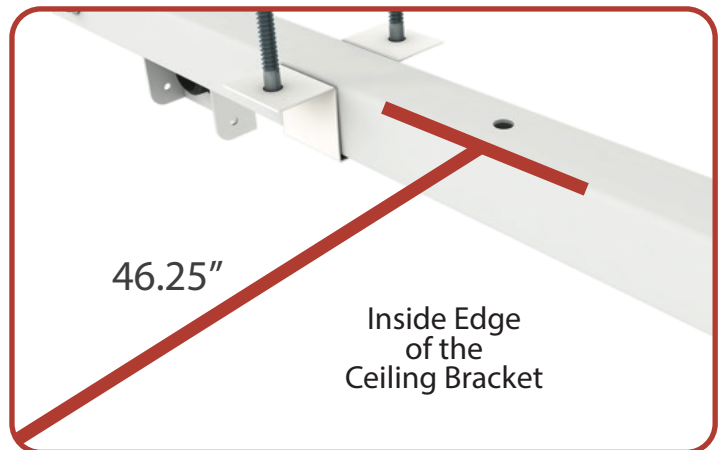
- Attach the Axle Mount and fasten the Nuts.



- Repeat for the remaining 2 Ceiling Brackets.



- Mount 46.25" from inside edge to inside edge.



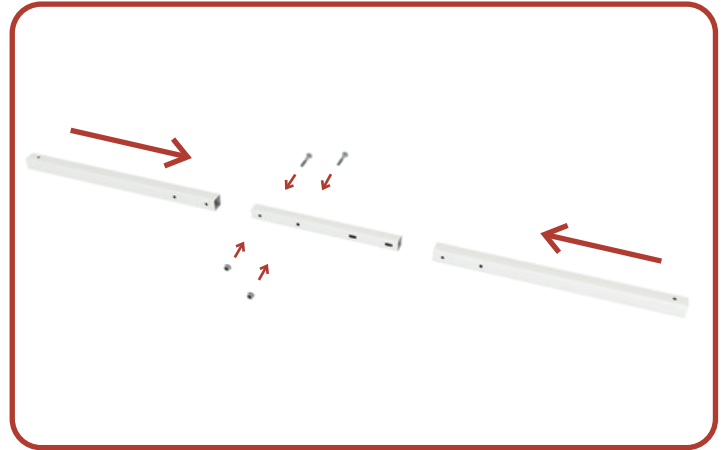


MOUNT THE GEARBOX, SPOOLS AND AXLE ROD

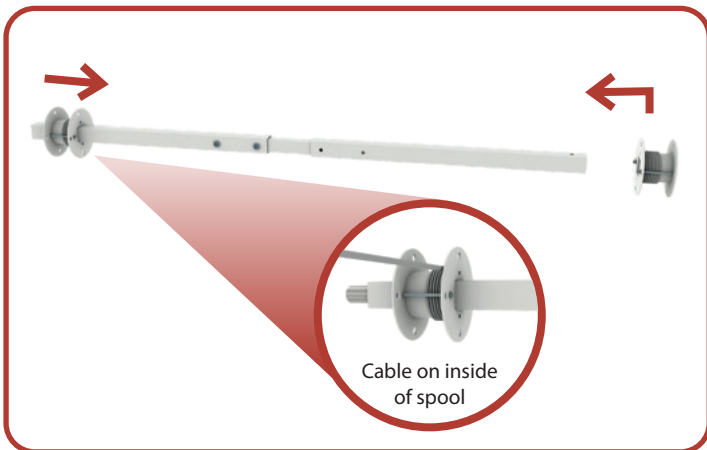
- Remove the Gold Bolt from the Gearbox, and attach the Gearbox to the Axle Mount using the Gearbox Connecting Bolts and Nuts.



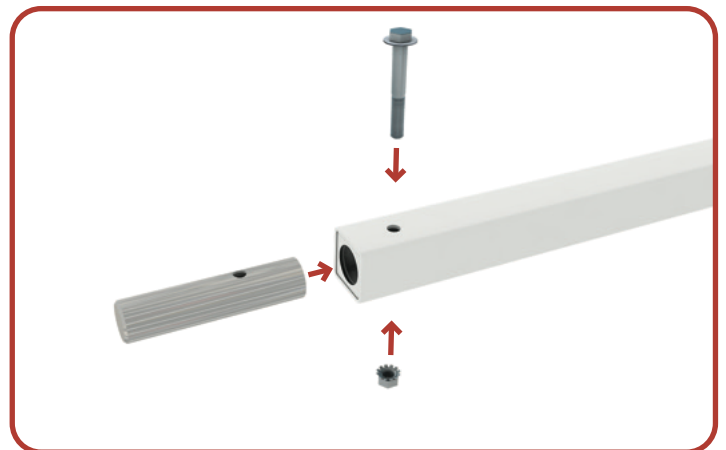
- Join both halves of the Axle Rod using the Axle Rod Connector, two Long Bolts and Nuts.

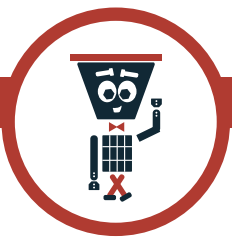


- Unwind the Cables from the Spool, and mount the Spools with Cables identical on each side. Make sure the Cable is flush against the spool wall, and is feeding from the top of the Spool.



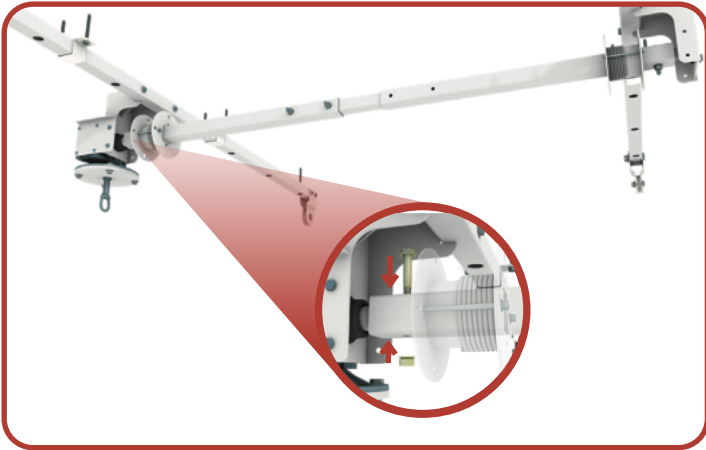
- Attach the Axle Rod Cylinder to one of the Axle Rod Halves using a Long Bolt and Nut.





INSTALL THE AXLE ROD AND CABLES

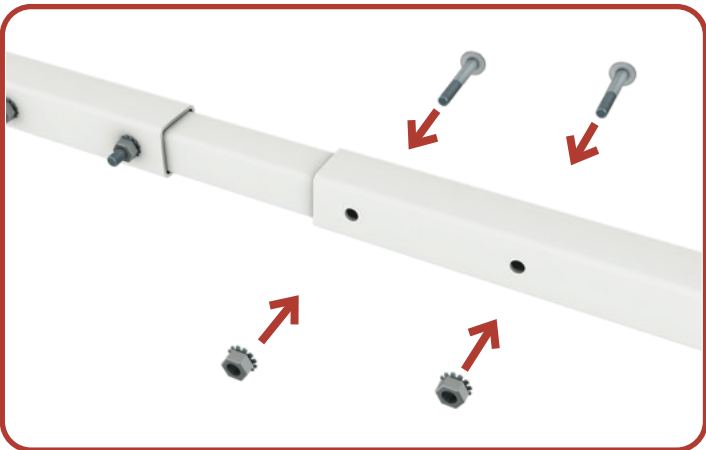
- Fasten the Axle Rod to the Gearbox using the Gold Bolt.



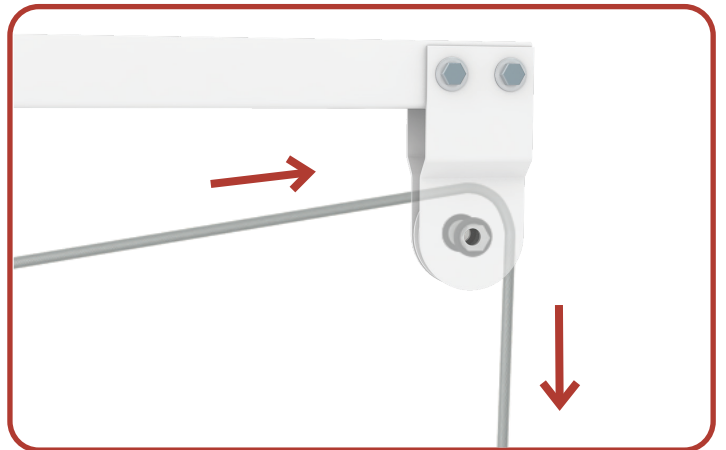
- Extend the Axle Rod and ensure that the Axle Rod Cylinder is fully inserted into the Axle Mount.



- Once the Axle Rod is in place, insert the Bolts and fasten the Nuts.



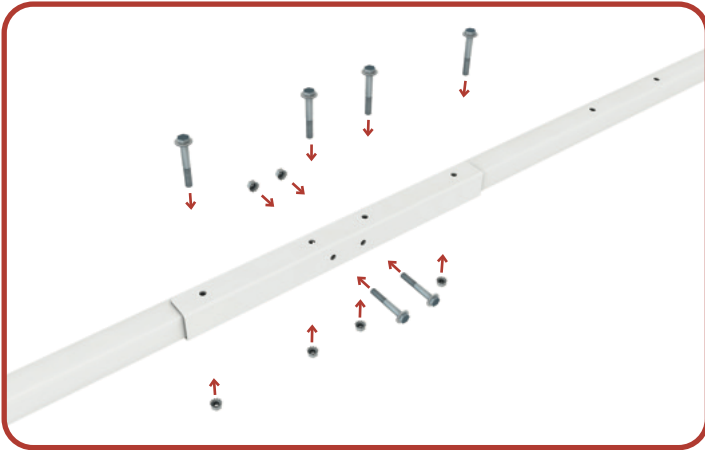
- Ensure the cables are resting properly on the wheels.



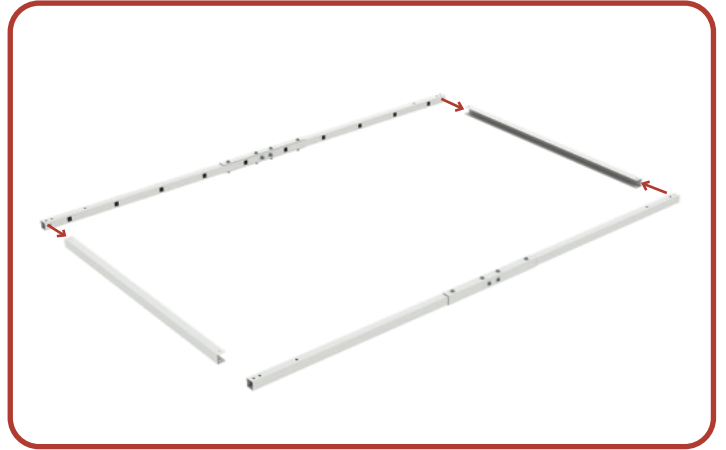


ASSEMBLE THE FRAME

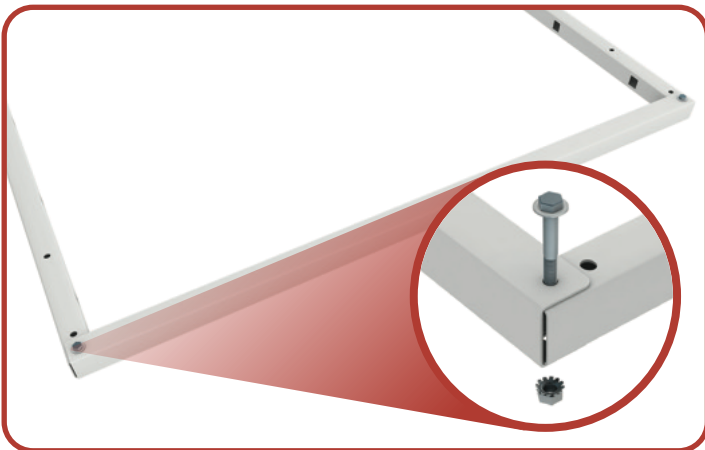
- Assemble the Sides of the Frame using the Side Frame Connectors, Long Bolts and Nuts.



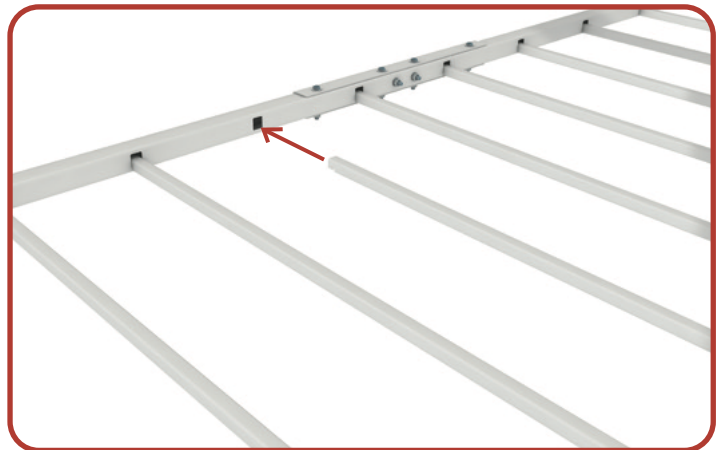
- Connect the Sides of the Frame to the Ends of the Frame.



- Fasten using the Long Bolts and Nuts.



- Insert the Support Bars and ensure they are resting securely in the grooves.



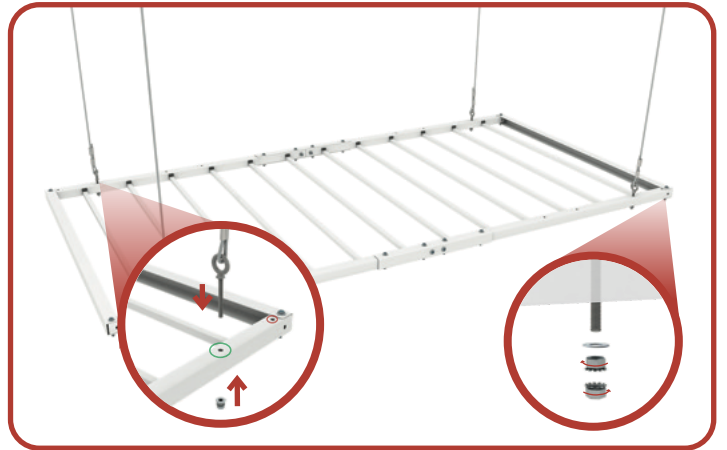


ATTACH THE FRAME TO THE CABLES

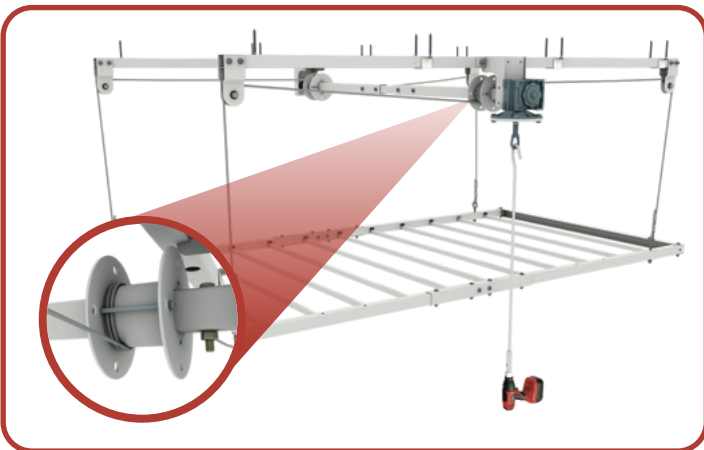
- Fasten using the Plastic Plugs.



- Attach the Frame to the Eye-Bolts with a Washer and 2 Nuts. Loosely hand tighten them.



- Raise the frame using your Drill so that the Spool has 2-3 full rotations. Ensure it is spooling correctly.



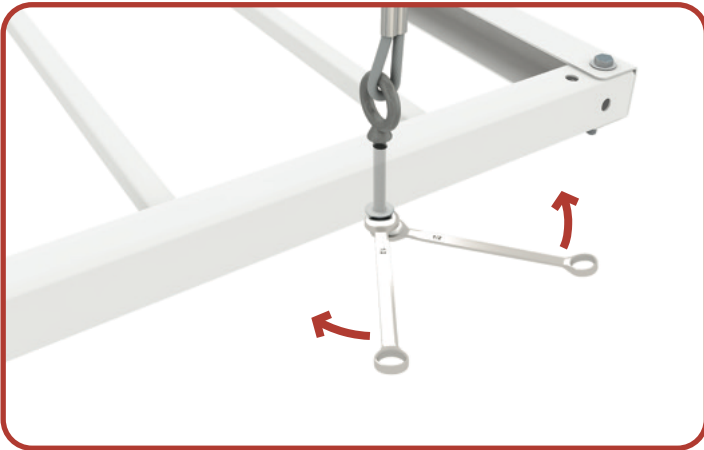
- Level the frame by adjusting the Nuts on the Eye-Bolts.



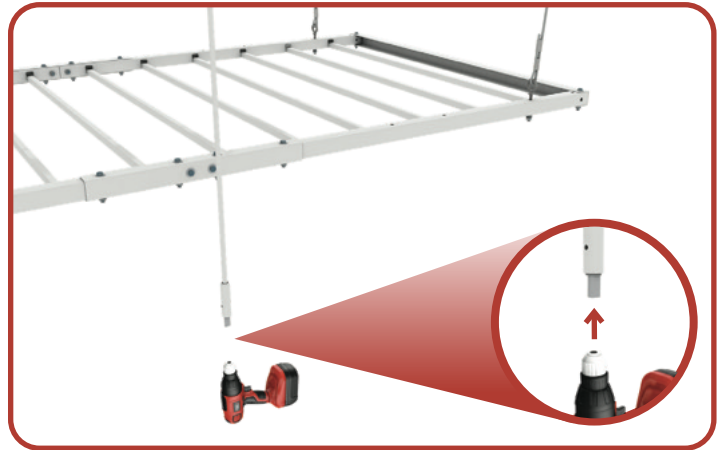


ENJOY BEING MORE ORGANIZED!

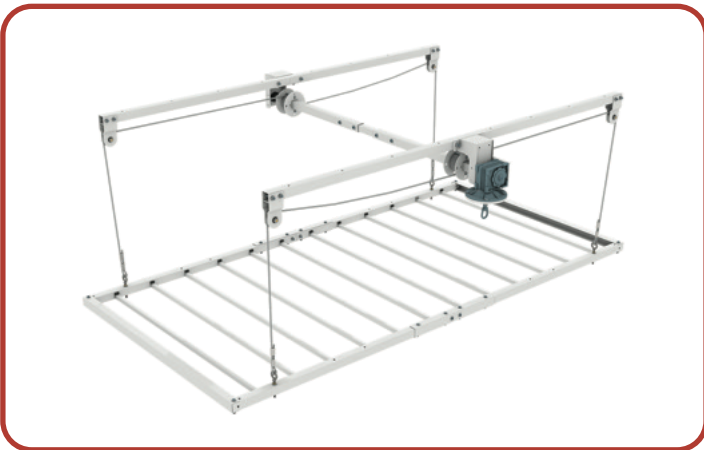
- Tighten the Nuts in opposite directions with two 1/2" Wrenches.



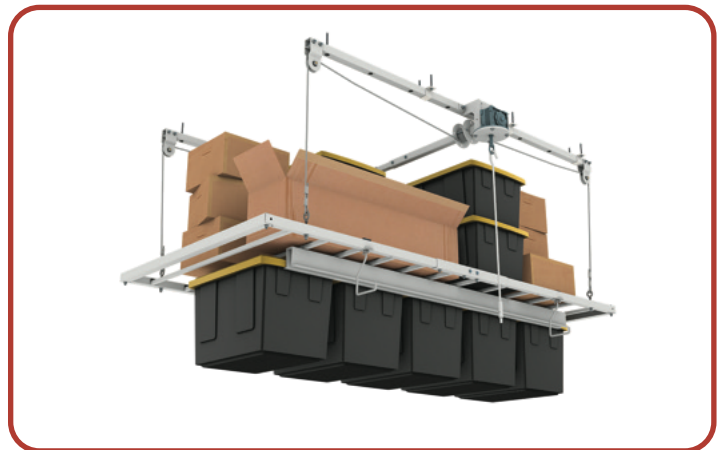
- Ensure the Drill-Rod is hanging straight down from the ceiling when raising and lowering.



- Enjoy your Retractable system for years to come!



- Visit our website to upgrade your platform to a 3-in-1 Storage System.



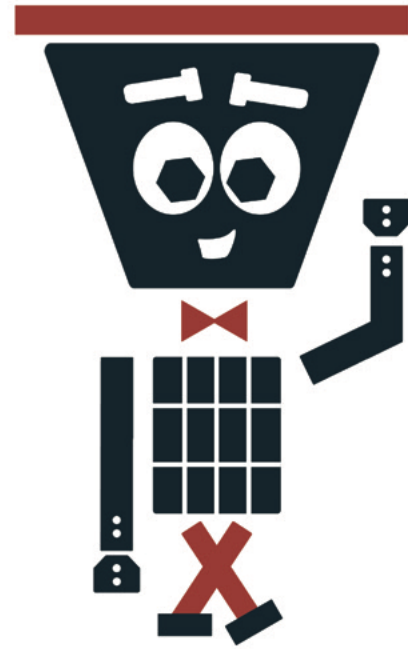
YOUR INSTALLATION IS NOW COMPLETE!
Please visit our website for more information:
www.CeilingSAM.com

NEED MORE STORAGE?



CHECK OUT OUR OTHER PRODUCTS 🤗





\$50 OFF COUPON

ORDERS OVER \$400

Coupon Code:

REFERRAL50



CEILINGSAM.COM

(833) 255-1122

info@ceilingstorageandmore.com