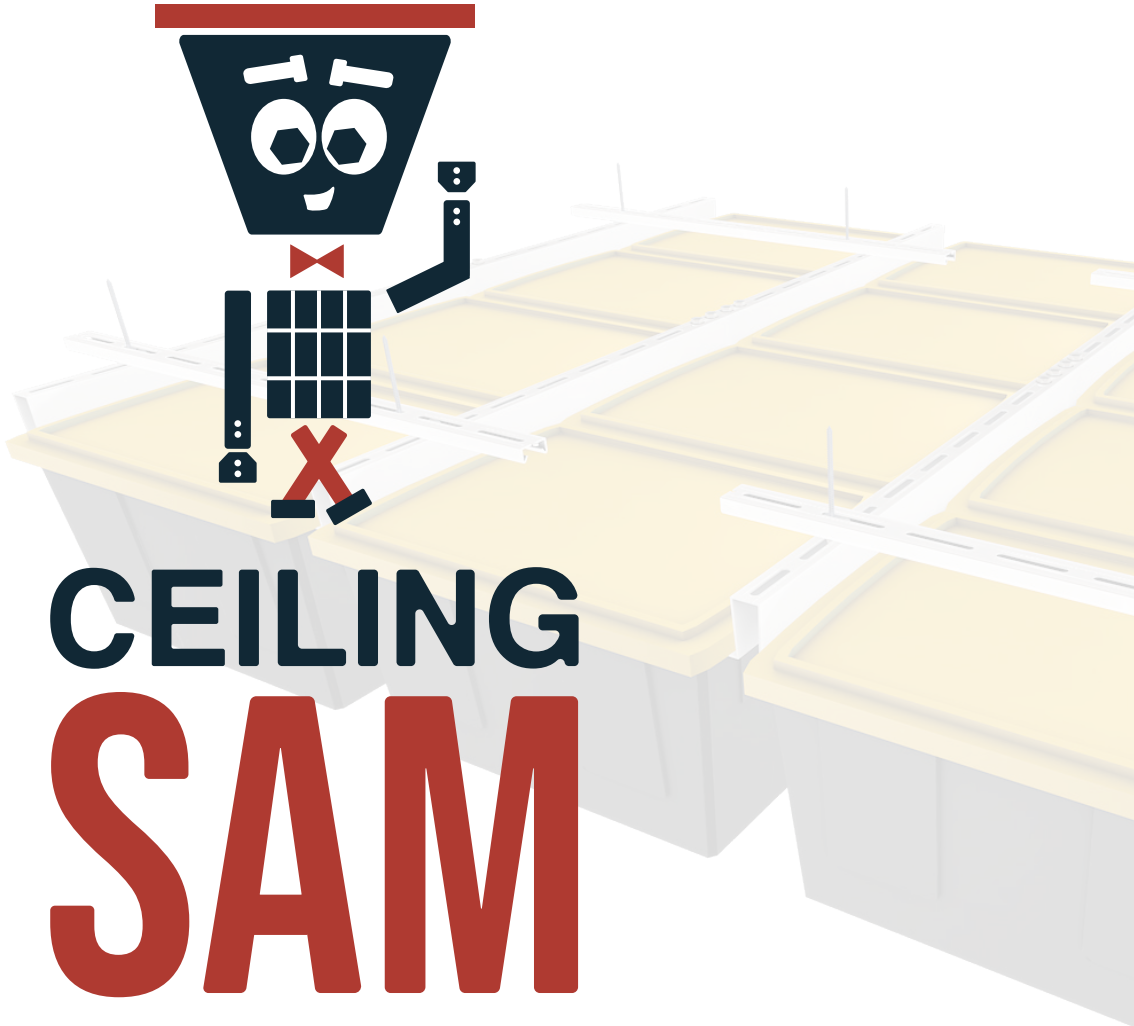


HEAVY DUTY

TOTE SLIDE PRO STORAGE SYSTEM



We highly recommend watching our installation video before beginning your installation



CEILING SAM

STORAGE AND MORE

INSTALLATION INSTRUCTIONS

CeilingSAM.com/installation

**IMPORTANT: READ THROUGH ENTIRE INSTRUCTIONS
BEFORE BEGINNING ANY INSTALLATION**



MISSING A PART? There is no need to return this unit to the seller.
Please email: info@ceilingstorageandmore.com

We appreciate your purchase of the CeilingSAM Tote Slide Pro Storage System. CeilingSAM has made every effort to supply a quality product that ensures a lifetime of trouble-free service. In the event that you encounter any urgent problems, please call our toll-free number at 833-255-1122 BEFORE RETURNING THE UNIT TO THE SELLER.

CeilingSAM Heavy Duty Tote Slide Lifetime Limited Warranty

CeilingSAM warrants this ceiling storage system against defects in the material and workmanship for the life of the product. CeilingSAM agrees to either repair the product or replace it at the sole discretion of CeilingSAM. This warranty does not include the costs associated with the physical installation, removal, or return of the CeilingSAM Tote Slide Storage System.

This warranty is valid and enforceable provided that the maximum weight supported by each Heavy Duty Tote Slide Storage System does not exceed 150 lbs per row, evenly distributed. The customer, dealer, and/or installer releases CeilingSAM of all claims, which includes the CeilingSAM ceiling unit and the structure it is attached to.

This unit must also be installed according to the manufacturer's instructions (both written and/or by video). At no time should you install more than two Heavy Duty Tote Slide Pro Storage systems on any two ceiling rafters, trusses, or ceiling studs. All hardware and fasteners must be checked and tightened at least annually.

Only the original purchaser of this product is extended this warranty. No warranty work will be provided under this warranty without purchaser's original receipt or other proof of the date of the original purchase acceptable to CeilingSAM. There are NO other warranties expressed or implied except those stated herein as required by applicable law.

This CeilingSAM limited warranty covers product failure due to defects in materials or workmanship ONLY! It does not cover corrosion, rust or discoloration of its components, or product failure due to misuse, abuse, faulty installation, alteration, lack of reasonable care, or any other failure not related to the defects in materials or workmanship.

There are NO other warranties expressed or implied except those stated herein as required by applicable law.

CEILING SAM SHALL NOT BE LIABLE FOR INCIDENTAL, SPECIAL, OR CONSEQUENTIAL DAMAGES RESULTING FROM THE USE OF THE PRODUCT OR ARISING OUT OF ANY BREACH OF THIS WARRANTY. ALL IMPLIED WARRANTIES, IF ANY, INCLUDING IMPLIED WARRANTIES OR MERCHANTABILITY AND FITNESS FOR A PARTICULAR PURPOSE, ARE LIMITED TO THE DURATION OF THIS WARRANTY.

Some states do not allow the exclusion or limitation of incidental or consequential damages, or limitation on how long an implied warranty lasts, so the above exclusions or limitation may not apply to you. No other warranty, written or verbal, will be honored for this product. This warranty gives you the specific legal right and you may also have other rights that vary from state to state.

CeilingSAM is not responsible for damages of merchandise in transit. Repaired or replaced products shall be subject to the terms of this warranty, to be inspected by CeilingSAM prior to return shipment. Damages incurred during transit should be reported at once to the carrier and a claim should be filed with them.

**CeilingSAM - www.CeilingSAM.com
Phoenix, AZ 85281**

**HANDYMAN OR
CONTRACTOR?**

**BECOME AN
AUTHORIZED DEALER**



**ASK ABOUT OUR
WHOLESALE
PROGRAM 😎**



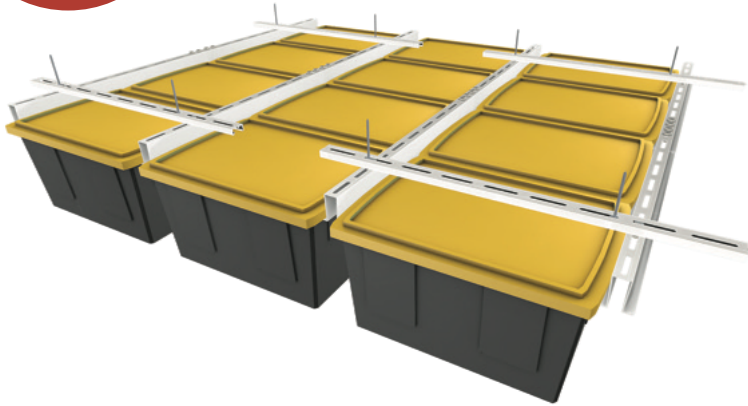
\$50 OFF COUPON

ORDERS OVER \$400

Coupon Code:

REFERRAL50





TOTE SLIDE PRO STORAGE SYSTEM

REQUIRED TOOLS:



18v Cordless Drill



Ladder



Stud Finder



Tape Measure



Safety Glasses



Marking Pencil



1/2" Socket



3/16" Drill Bit



Socket Extender
(Optional)



STEP 1: UNBOX YOUR TOTE SLIDE STORAGE SYSTEM

- Make sure all parts are included



PARTS INCLUDED: TOTE SLIDE PRO

PARTS INCLUDED IN YOUR TOTE SLIDE STORAGE SYSTEM:



Support Rail (x4)



Channel Rail (x8)



Channel Rail Connector (x4)



Lag Screw (x8)



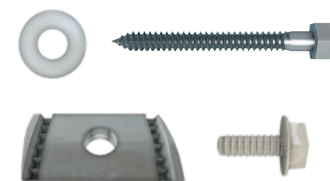
Washer (x8)



Hex-Bolt(x24)



Slide-Nut (x8)



Spare Parts

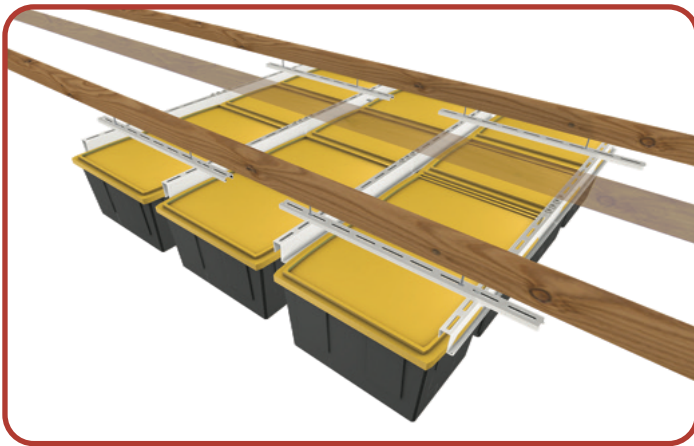


CONFIGURATION OPTIONS

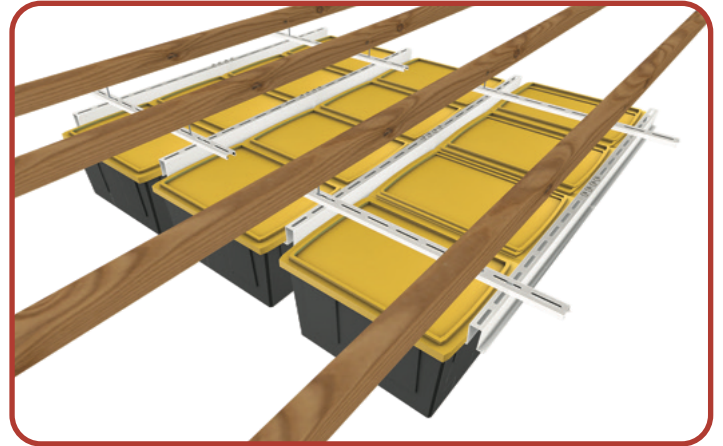


TOTE SLIDE PRO

PARALLEL WITH THE CEILING JOISTS



PERPENDICULAR TO THE CEILING JOISTS

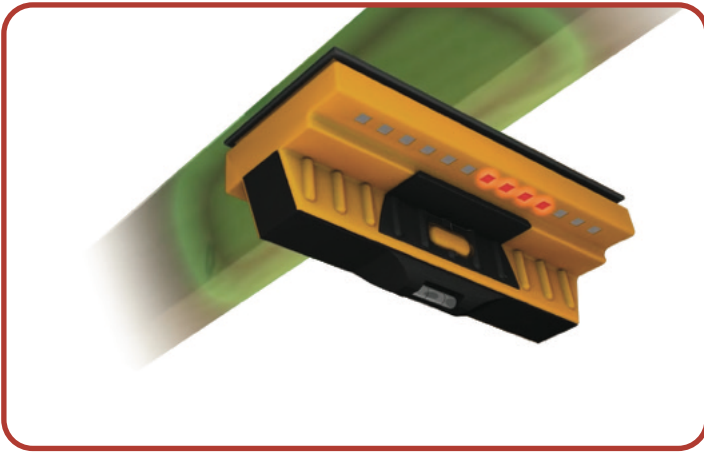




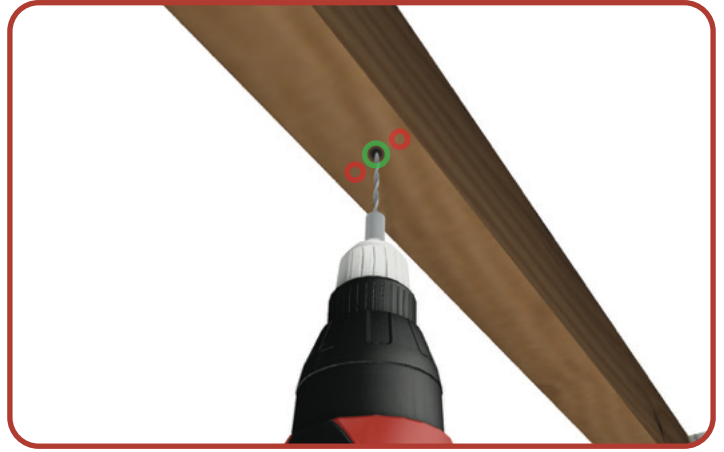
MOUNT YOUR SUPPORT RAILS

STEP 2: MOUNT YOUR SUPPORT RAILS

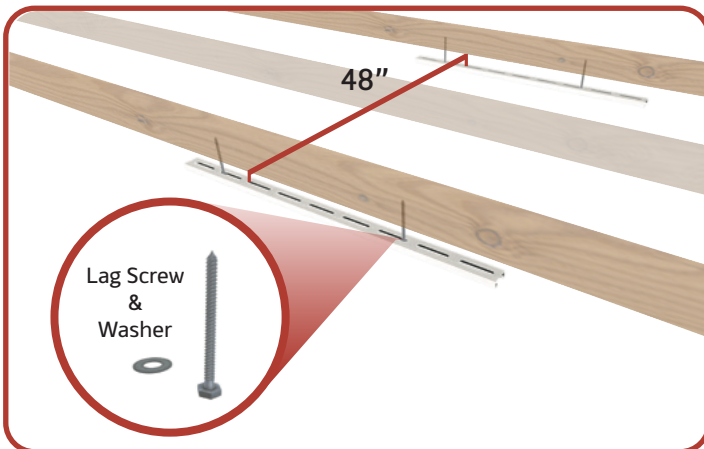
- Use a Stud Finder to locate the Ceiling Joists.



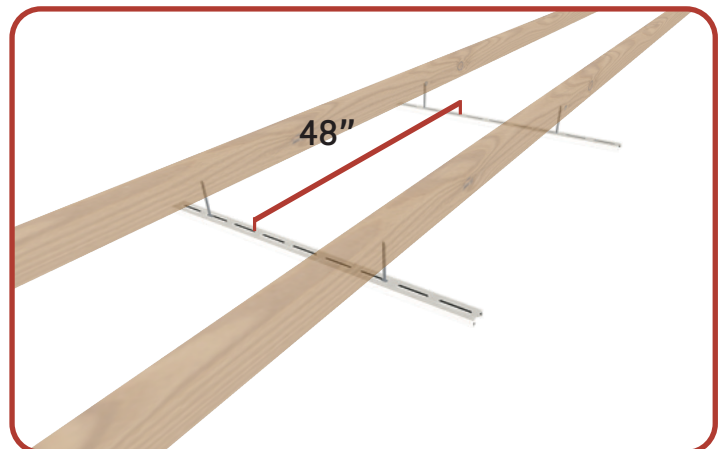
- Pre-drill at the very center of the joists with a 3/16" Drill Bit before inserting the Lag Screws.



- **Parallel with the ceiling joists:** Mount two support rails 48" apart, using 4 Lag Screws with Washers.



- **Perpendicular to the ceiling joists:** Mount two support rails 48" apart, using 4 Lag Screws with Washers.

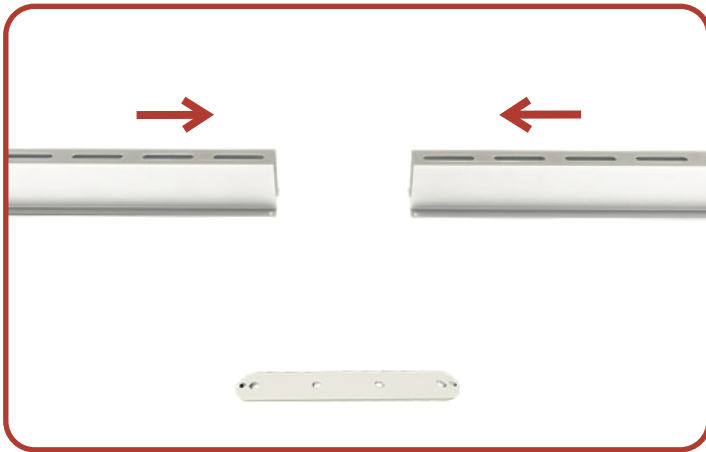




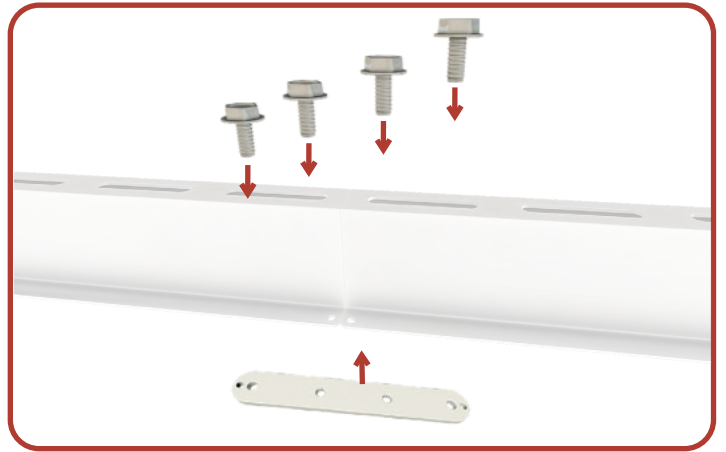
ASSEMBLE AND MOUNT YOUR CHANNEL RAILS

STEP 3: ASSEMBLE AND MOUNT YOUR CHANNEL RAILS

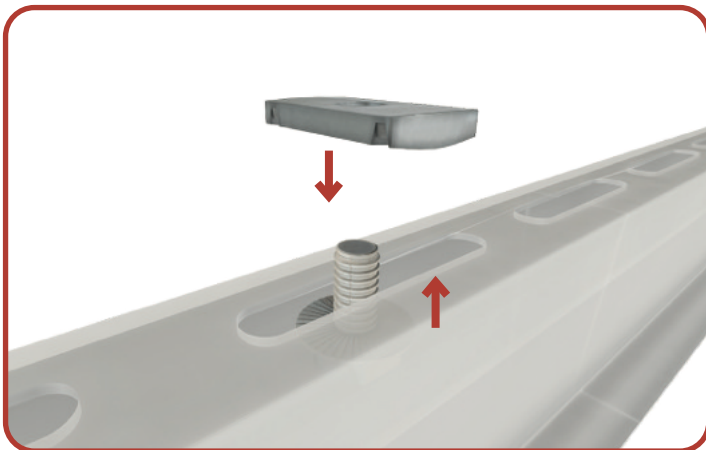
- Connect the Channel Rails using Channel Rail Connectors.



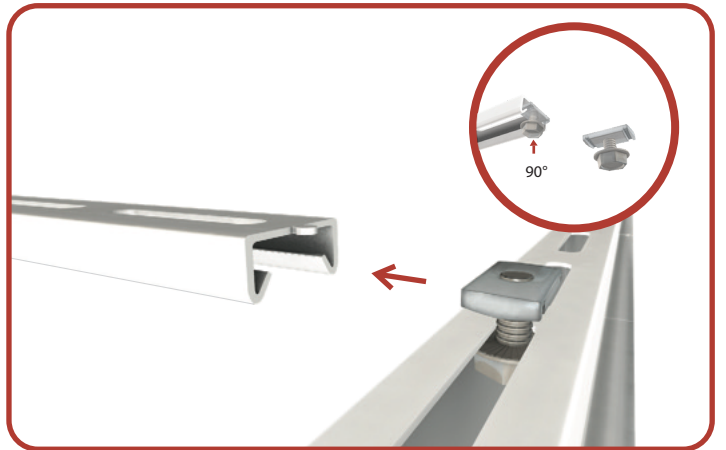
- Fasten the Hex Bolts using a 1/2" Socket.



- Insert the Hex Bolts into the Channel Rails 48" apart, and loosely hand-tighten the Slide Nuts. Ensure the teeth are facing down.



- Mount the Channel Rails by rotating the Slide Nuts 90 degrees inside the Support Rails.

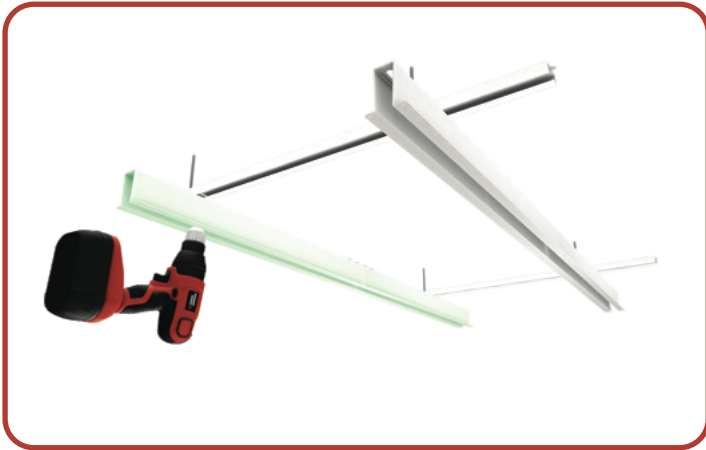




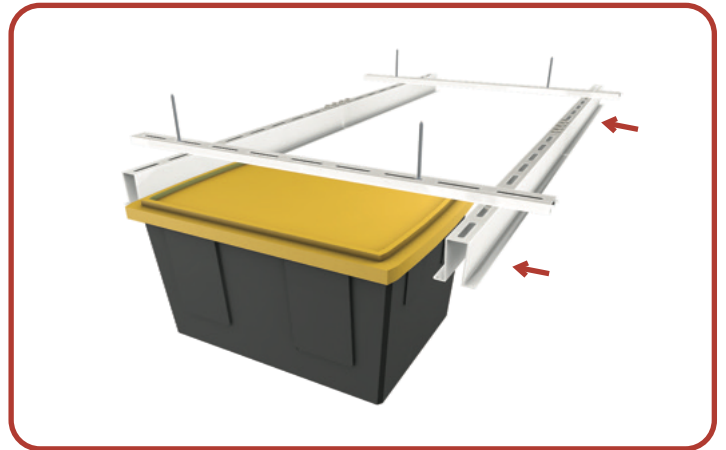
FASTEN YOUR CHANNEL RAILS

STEP 4: FASTEN YOUR CHANNEL RAILS

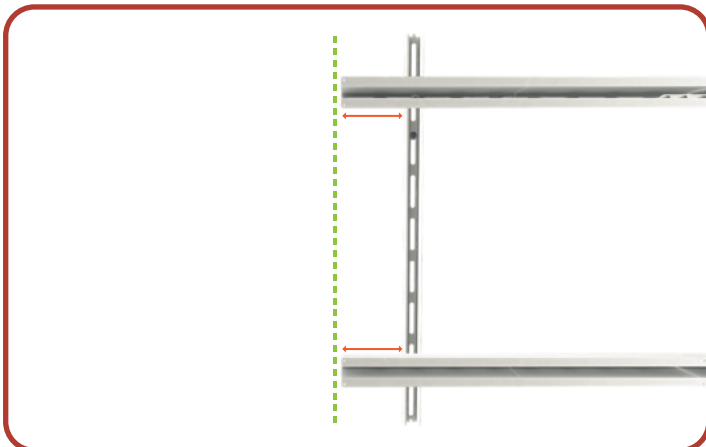
- Fasten the first Channel Rail using a 1/2" Socket.



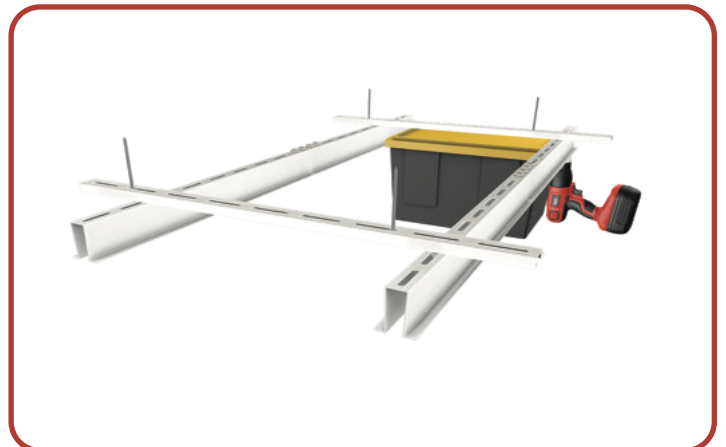
- Use an empty Tote to align the second Channel Rail. Ensure a snug fit.



- Ensure the Channel Rails are in-line by measuring from the Support Rail to the tip of the Channel Rails. Adjust if necessary.



- Fasten the second Channel Rail using a 1/2" Socket.

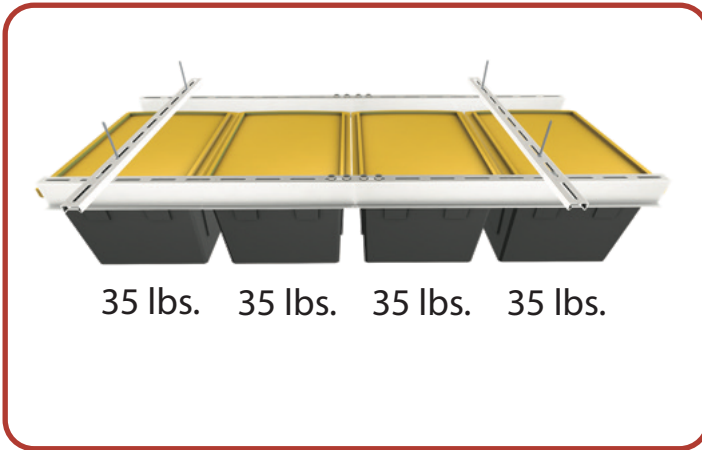




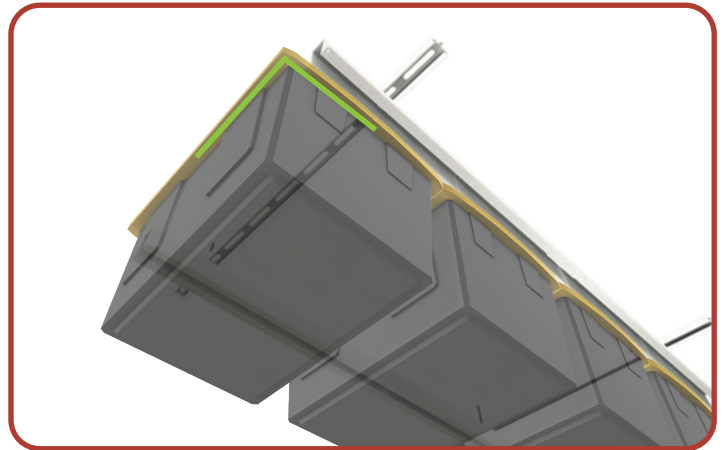
LOADING

STEP 5: LOADING

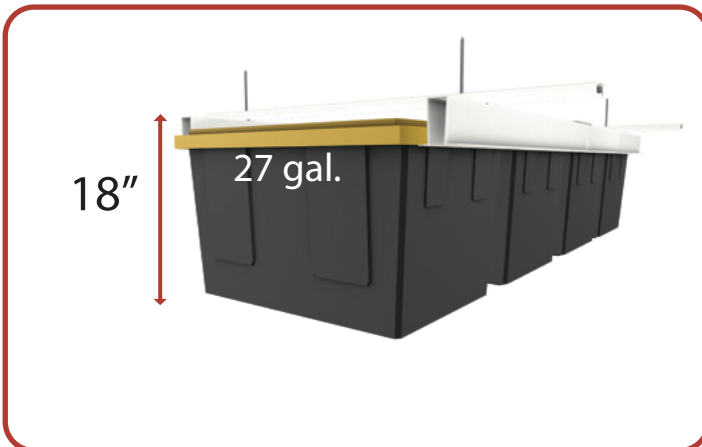
- We recommend no more than 35 lbs. per Tote. Each row has a load capacity of 150 lbs.



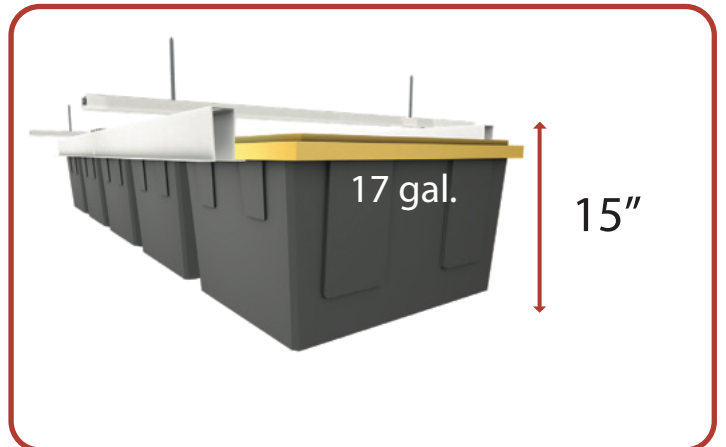
- **ONLY** use Totes with a thick reinforced "lip".



- The standard 27-gallon Totes require ~18" of clearance from the ceiling.



- The standard 17-gallon Totes require ~15" of clearance from the ceiling.

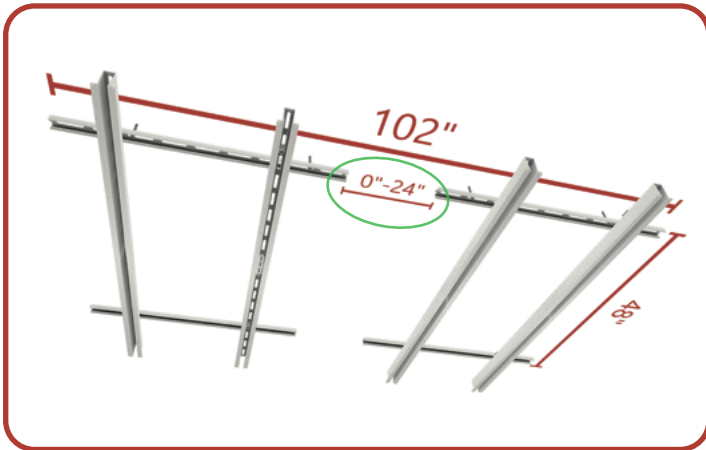




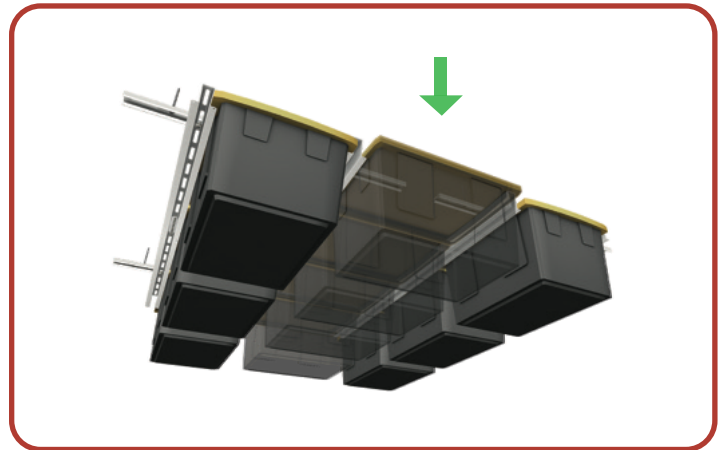
EXTRA STORAGE

STEP 6: Extra Space

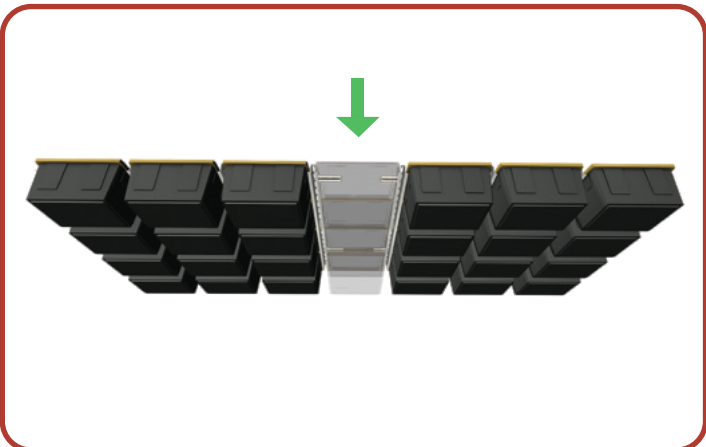
- To maximize your storage, leave a 24" gap between your Support Rails.



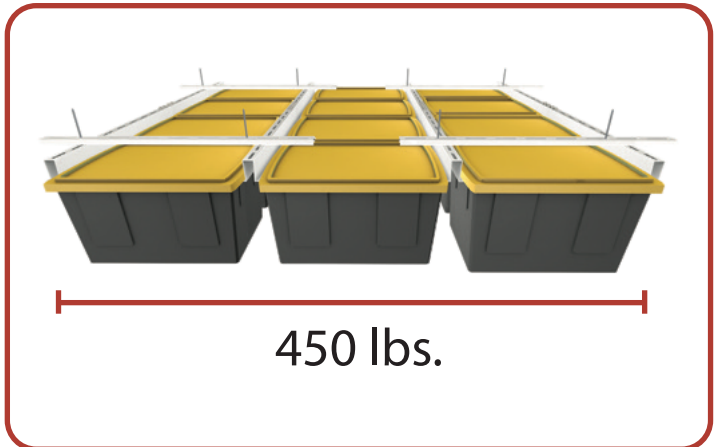
- Organize your totes in either direction.



- If you combine 2 systems, you will get an extra row of storage.



- The Tote Slide Pro holds 450 lbs. of distributed weight.

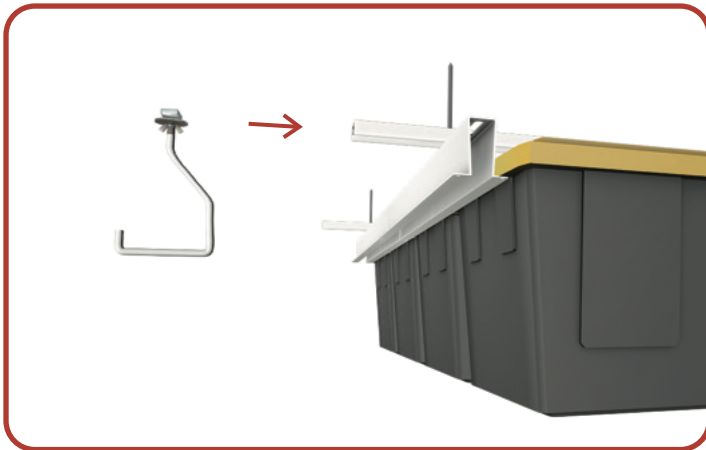




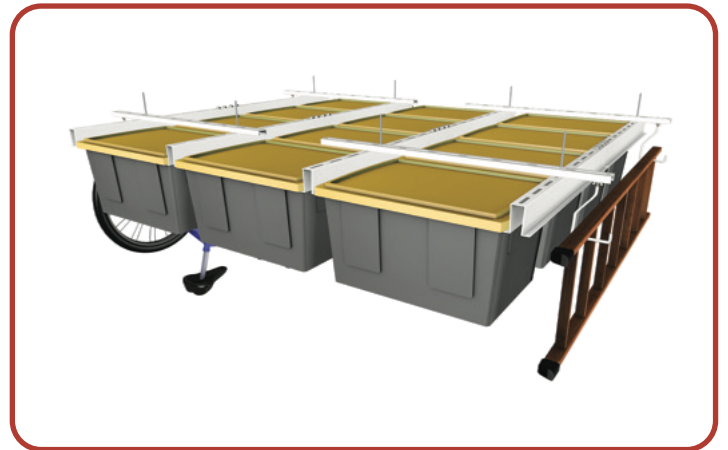
EXTRA STORAGE

STEP 6: Extra Space

- Purchase Hooks on our website for additional storage!



- Organize bikes, ladders, and more!



YOUR INSTALLATION IS NOW COMPLETE!
Please visit our website for more information:
www.CeilingSAM.com